



Manual

Smart Smoothie

Vitality

EN DE

CZ SK

HU PL

FR IT

ES



**BPA
FREE**



1 680 W



32 000 rpm



2.5 l



PROGRAMS

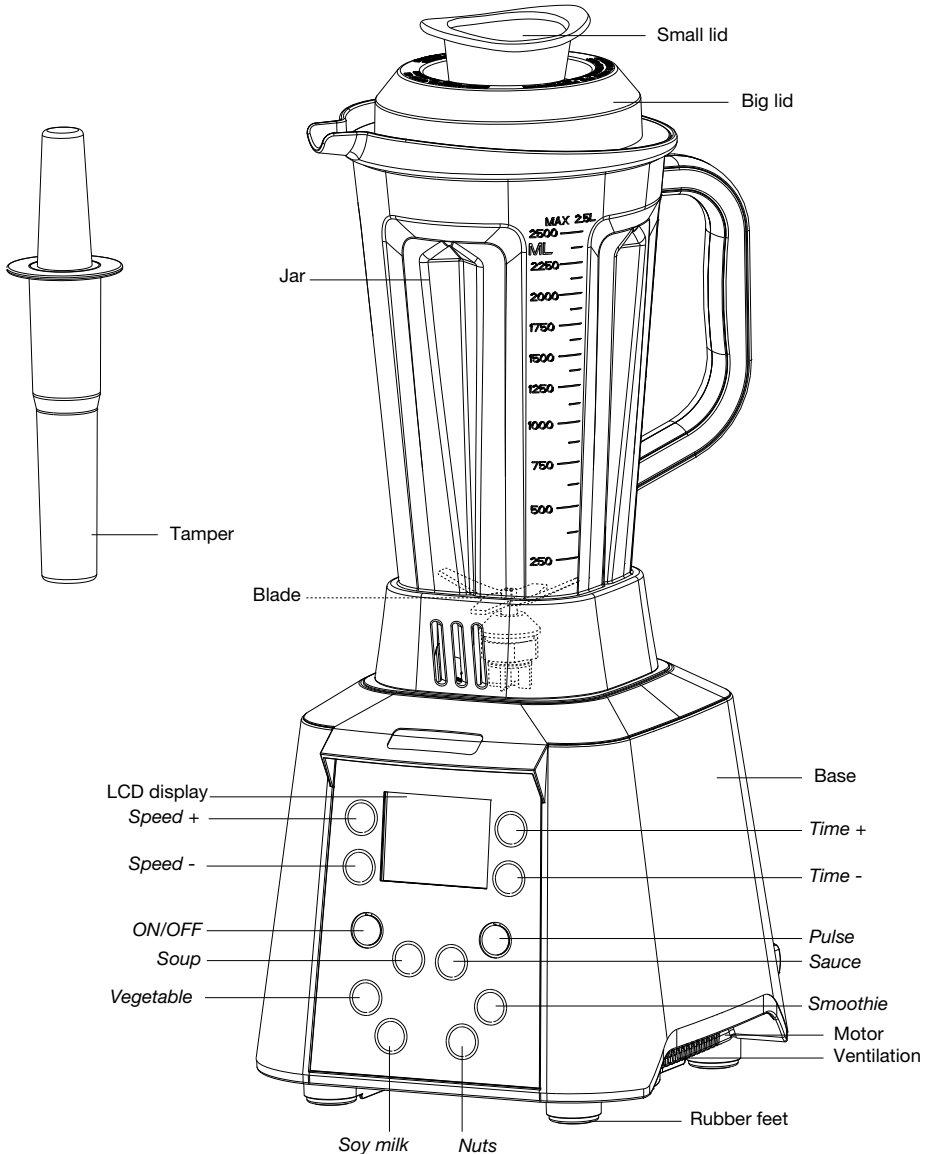
اے جی



Thank you for purchasing our product.

Before using this unit, please read this manual in order to avoid improper handling and use of the device.

Appliance parts



Warning

1. Make sure that the appliance has not been damaged during transport.
2. Make sure you have all parts of the appliance.
 - 1x Instruction Manual
 - 1x Blender
 - Big lid, small lid, tamper, main body, jar (including blade and the retaining nut).
3. Place the appliance on a level stable surface. Do not tilt the appliance. Do not place the appliance near flammable materials.
4. Protect the appliance against direct sunlight and rain.
5. In order to prevent leakage of electricity, the appliance must be plugged into a properly grounded electrical socket.

Safety instructions

1. Before first use read the safety instructions.
2. Make sure the appliance is plugged in 220-240 V socket.
3. This appliance is not intended for use by persons (including children) with reduced physical, sensory or mental capabilities, or lack of experience and knowledge, unless they have been given supervision or instruction concerning use of the appliance by a person responsible for their safety.
4. DO NOT allow children to play with the appliance. Keep them at a safe distance from the appliance while operating.
5. Do not forget to install the lid on the jar. The lid helps tamper to mix food inside the appliance. After the appliance turns off, remove jar and use spoon or fork to remove remnants of food inside the jar.
6. When switching on the appliance, hold the lid to prevent its release.
7. During operation, do not remove the lid and do not put your hands into the jar.
8. Do not put any metal items like knives, forks, spoons, etc. into the JAR.
9. Do not leave the appliance run on empty for more than 2 minutes. It causes generation of high temperatures that may cause damage to the lubrication system of the appliance.
10. In case that blade drops out or breaks, immediately switch off the appliance. Then contact the authorized service center.
11. During cleaning or removing parts, do not forget to turn off power and unplug the appliance.
12. Do not immerse the main body into water. Do not wash the main body under running water directly in order to prevent electric shock.
13. Do not clean the blades with bare hands because they are very sharp. Use brush or a strong cloth.
14. If the appliance is overfilled, overfill protection automatically switches off the appliance. Reduce the amount of food inside the jar.
15. If the appliance does not work, pull it from the wall socket and wait until the temperature fall.
16. If the power cord is damaged, the replacement must always be carried by an authorized service center.

Control panel

LCD screen

If the appliance is connected to an electrical outlet, the LCD display shows time 00:00 and speed number 3.

The appliance is in the standby mode and all the buttons light.

Manual setting



Time + Time -

To set the operating time (from 5 seconds to 30 minutes).

- Tip: hold button to set the time faster



Speed + Speed -

To set the operating speed (1-2-3-4-5-6-7-8-H).

- Tip: in manual mode the speed and time is adjustable during operation.



Pulse

Caution: pulse function runs the appliance at the highest speed, therefore make sure that the cover is properly attached.

- Tip: pulse operation may be used to clean the jar.

Preset programs

Press any programmable button. It starts to blink. The corresponding program is displayed on the LCD screen. At this time you can adjust the time and speed of mixing. After starting the program you cannot change time and speed.



ON/OFF

The button will start to flash, the selected program button stops to flash and glows, all other programmable buttons turn off. The time on the LCD display will start to decrease.

- Speed + - and Time + - are adjustable before starting the program, after starting the program you cannot change time and speed.



Veggie

Press this button to process fruits and vegetables, the speed starts from 1 to H within 5 seconds and the appliance starts to work at highest speed for 2 minutes.

- Speed + - and Time + - are adjustable before starting the program, after starting the program you cannot change time and speed.



Soup

Press this button to process soup, the speed starts from 1 to H within 9 seconds, then the appliance is working at highest speed for 3,5 minutes.

- Speed + - and Time + - are adjustable before starting the program, after starting the program you cannot change time and speed.



Sauce

press this button to process sauce, the speed starts from 1 to 5 within 3 seconds, then the appliance is working at middle speed 5 for 2,5 minutes.

- Speed + - and Time + - are adjustable before starting the program, after starting the program you cannot change time and speed.



Smoothie

Press this button to process smoothie, the speed starts from 1 to H within 9 seconds, then the appliance is working at highest speed for 1 minute.

- Speed + - and Time + - are adjustable before starting the program, after starting the program you cannot change time and speed.



Nuts

Press this button to process nuts, the speed starts from 1 to H within 5 seconds, then the appliance is working at highest speed for 1 minute.

- Speed + - and Time + - are adjustable before starting the program, after starting the program you cannot change time and speed.



Soy milk

Press this button to process soy beans, the speed starts from 1 to 5 within 5 seconds, then the appliance is working at speed 5 for 5 second then changes to speed 8 for 10 seconds and finally the appliance works at speed H (maximal speed).

- Speed + - and Time + - are adjustable before starting the program, after starting the program you cannot change time and speed.

Caution: Always start the blender from MIN speed position.

Pulse button - "ON" position overrides the appliance at the highest possible speed. Release the button and the appliance reduces speed until it stops.

Operation

Before starting the appliance, check the following:

The jar is correctly attached to the base.

The lid on the container must be securely closed.

The speed button is in MIN speed position.

1. Plug the appliance into an electrical outlet.
2. Place the jar on the base.
3. Insert the food into the jar. Do not exceed the MAX marking on the jar.
4. When finished, switch the appliance off and wait until the appliance stops completely, then remove and empty jar.

Blending Tips

When inserting the food materials into the jar, please be aware of the order. First pour the liquid, add ice and finally food.

It is better to use a low speed and then increase the speed.

If the food materials are pushed toward the jar wall you set too high speed. You should reduce speed.

The appliance is equipped with protection against overheating to avoid damaging of the motor. After switching off wait till the appliance cool down completely, then turn on the appliance. If the appliance does not have enough cooling, the appliance does not start again, you have to let the appliance cool down for longer time.

Preparation

Fruit or Vegetable Juice

Cut fruits and vegetables into small pieces (3,5 cm) then put them into the jar. Add water and ice according to personal preference. Attach the big lid, small lid and turn on the appliance. Start at a low speed and turn to high speed. Blend until the juice is prepared according to your requirements.

Smoothie/Ice cream

First insert the ice, then add liquid and then add food.

You can replace water with milk, yoghurt or fruit juice.

If the food inside the jar cannot be blend, use tamper to stir the food inside.

When making fruit ice cream, peel the skin, remove seeds and put it into freezer to replace ice. Then blend fruits and place them in the freezer again.

Jams/Sauces

The appliance can produce jams and sauces.

When making jams/sauces, please cut the food into small pieces (2,5 cm), and put them into the jar. Then add water depending on food material and their quantity.

Time should be set for 15-150 seconds depending on the thickness of food.

When making sauces, you can add other liquids than water. (For example: milk, oil, wine, meat soup, orange juice, tomato juice, etc)

Soy milk

Cook soy beans and add them into the jar. Add boiling water.

Recommended ratio of water and beans is 5:1.

Run the motor at low speed, then switch to high speed.



Nutrition tips

1. If you do not like bitter taste, you can add honey. Diabetics can add natural sweeteners.
2. Tomatoes have high nutritional value, which can prevent cancer. They are also good for people who have problems with arteries. Because heat processed tomatoes lose their nutritional value, therefore it is better to process them in the blender.
3. Papaya has a high amount of potassium and sugar. People with diabetes and kidney problems should be careful with its use.
4. Celery is excellent for reducing high blood pressure, cleans the blood and neutralizes the calcium content and acidity which is inside the human body. Celery also strengthens the immune system, prevents lung cancer, breast cancer and prostate cancer.
5. Carrot contains about 490 types of nutrients, particularly beta carotene, which strengthens immunity, helps the formation of cells, lowers cholesterol and reduces the liver values. Carrot contains calcium, potassium, vitamin B and vitamin C and helps reduce high blood pressure.
6. You can replace water with milk.
7. Since the blender has a high performance and speed, is suitable for fruits that are not resistant to long cooking and cooking is losing its nutritional value.

Cleaning and Maintenance

1. Before cleaning make sure that the appliance is switched to the OFF position and disconnect it from the electrical outlet.
2. Cleaning the JAR: fill the jar with water, press the pulse button for 10 seconds, then switch it off and rinse it with water.
3. Use sponge or cloth to wipe the jar and lid, dry them thoroughly to prevent odor or bacteria from growing.
4. DO NOT put hands into the JAR to clean the blades. Blades are very sharp and can cause injury.
5. Use dry cloth to wipe the base, do not wash the base under the running water and do not immerse it in water.
6. Any worn parts must be replaced with original parts. Never use a cheap refund.
7. If the appliance does not work, switch it off and contact authorized repair center.

Technical parameters:



Rated voltage: 220-240 V~

Frequency: 50 Hz

Power: 1 680 W

Max. speed: 32 000 RPM

Jar capacity: 2,5 l

RECIPES



Crop milk

Crop milk made of walnuts, cashews, hazelnuts, macadamia nuts, pine nuts or seeds- almonds, sunflower seeds, pumpkin seeds, hemp seeds.

Ingredients:

- 1 cap of nuts ideally soaked for 4-12 hours (milk can be prepared from various nuts- walnuts, cashew, hazelnuts, macadamia nuts, pine nuts or seeds- sunflower seeds, pumpkin seeds or hemp seeds.
- 1 teaspoon of honey or agave syrup, dates syrup, prunes syrup or coconut syrup (not necessary)
- 1 pinch of vanilla bean, cinnamon, half a teaspoon of vanilla extract or other favorite spices (not necessary)
- 1 tea spoon of RAW cocoa (for the preparation of RAW cocoa)
- 2-3 caps of water- if we want thick milk use less water and vice versa

Process:

All the ingredients put into the blender and mix until it is smooth. Then pour into the nylon stocking through a strainer or directly into the nut milk bag and squeeze out all the milk.

Nut milk can also be flavored with cinnamon, nutmeg or other favorite spices.

Nut milk can be kept in a closed bottle or container in a refrigerator for 2-4 days.

Nut milk can be flavored with raw cocoa powder.

Pureed pulp from the nuts can be used to mash or cocktails.

*The main reason for soaking is better digestibility of nuts.

Milk of the poppy

Ingredients:

For preparation approximately 1,2 liter of milk is necessary to use:

- 200 grams of poppy
- 2 litres of water

Process:

Poppy seeds soak for 2-3 hours in warm water, then blend poppy seeds in blender on high speed. Milk of the poppy strain through a fine strainer or cloth bag. If you want to get a finer structure of milk, repeat the process several times.

Smoothie: Green breakfast

- 3 pieces of banana
- 3 dcl of hazelnut milk
- 1 measuring glass - 21 grams - chocolate SUNWARRIOR BLEND (Vitalvibe)
- 1 teaspoon of barley
- 1 teaspoon of bee pollen
- 15 pieces of chlorella
- 2 spoons of chia seeds
- 4 leaves of lettuce

Almond-cinnamon smoothie with MACA

- 3 pieces of banana
- 3 dcl of coconut milk
- 4 spoons of chia- mix 2 spoons of chia seeds and 2 do not mix
- 1 teaspoon of cinnamon
- 1 spoon MACA powder

Chocolate-coconut smoothie with dates

- 3 pieces of banana
- 2 pieces of apple
- 2 spoons of coconut oil
- 8 pieces of chocolate beans
- 4 spoons of chia seeds
- 1 spoon of cocoa powder
- 4 pieces of dates
- 1 spoon of MACA
- 1 spoon of LUCUMA

RECIPES



Apple-parsley smoothie with Lucuma

- 5 pieces of apple
- 2dcl of water
- 100 grams of parsley
- 100 grams of lamb's lettuce
- 1 spoon of cinnamon
- 1 spoon of LUCUMA

Spinach smoothie

- 3 pieces of banana
- 400 grams of spinach

Chocolate pudding

- 2 pieces of riped avocados
 - 1 teaspoon of coconut oil
 - 1 teaspoon of cocoa powder
 - 2 spoons of tamarind syrup
- Serve on sliced apple or other fruit.

Garlic spread

- 2 pieces of riped avocados
- 3 cloves of garlic
- Juice of one lemon
- Himalayan salt
- Pepper
- Chives or any other fresh herbs

Strawberry smoothie with Maqui

- 1 cap of strawberries
- 2 spoons of chia seeds
- 50 grams of almonds
- 1 spoon of MAQUI
- 4 pieces of dates

Chia yoghurt:

- 3 dcl of coconut milk
- 4 spoons of chia seeds
- To make the taste better you can use for example palm or tamarind syrup, goji, mulberries, raw cocoa powder, cinnamon or several kinds of fruit.

Banana ice cream

- 3 pieces of banana
- To taste: cinnamon, raw cocoa beans, vanilla, agave syrup

Process:

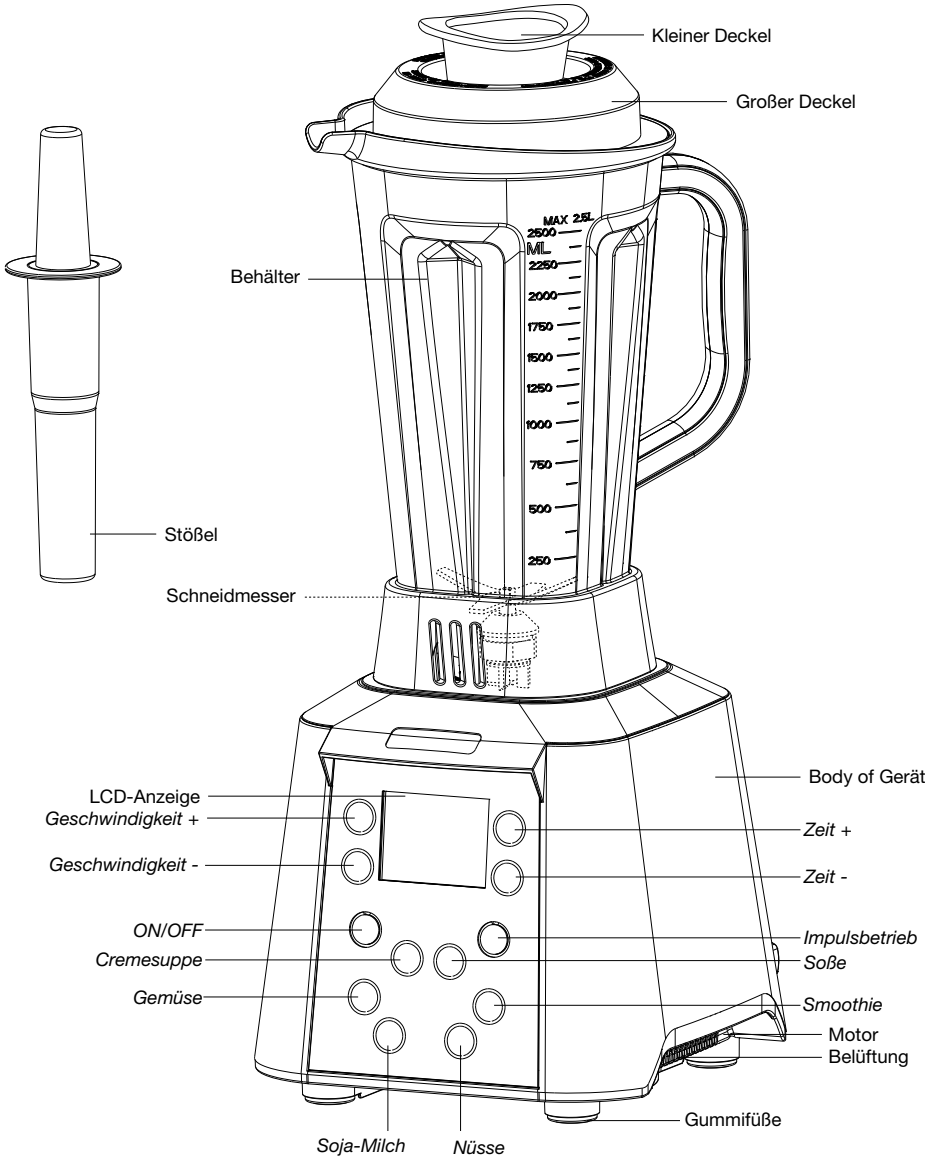
Banana cut into slices and put into the freezer for 1-2 hours. After the freezing put bananas into a blender and add a little bit of water. Mix until you get creamy banana ice cream. If you want to get creamier texture of ice cream you can add cashew nuts and mix it together.

DE

Vielen Dank, dass Sie sich für unser Produkt entschieden haben.

Lesen Sie bitte vor dem Gebrauch diese Gebrauchsanweisung sorgfältig durch.

Gerätestruktur



Vorsicht

1. Stellen Sie sicher, dass das Gerät während des Transports nicht beschädigt wurde.
2. Achten Sie darauf, dass alle Teile des Geräts vorhanden sind.
 - 1x Bedienungsanleitung
 - 1x Mixer
 - Kleiner Deckel, Großerd, Stampfer, Gerätebasis, Behälter (einschließlich Messereinsatz und der Haltemutter).
3. Stellen Sie das Gerät auf eine ebene stabile Fläche. Das Gerät nicht kippen. Stellen Sie das Gerät nicht in die Nähe von brennbaren Materialien.
4. Schützen Sie das Gerät vor direkter Sonneneinstrahlung und Regen.
5. Um Leckströme zu verhindern, muss das Gerät an eine geerdete Steckdose angeschlossen werden.

Sicherheitshinweise

1. Vor der ersten Benutzung lesen Sie die Sicherheitshinweise.
2. Stellen Sie sicher, dass das Gerät an eine 220-240 V Steckdose angeschlossen ist.
3. Dieses Gerät ist nicht geeignet um von Personen (einschließlich Kindern) mit eingeschränkten physischen, sensorischen oder geistigen Fähigkeiten oder mangelnder Erfahrung und Wissen benutzt zu werden, es sei denn, eine angemessene Aufsicht oder ausführliche Anleitung zur Benutzung des Geräts durch eine verantwortliche Person ist sichergestellt.
4. Lassen Sie Kinder NICHT mit dem Gerät spielen. Halten Sie sie in einem sicheren Abstand vom Gerät während des Betriebs.
5. Vergessen Sie nicht, den Behälter mit dem Deckel abzudichten. Der Deckel hilft dabei die Lebensmittel im Inneren des Gerätes durch zu mischen. Nach dem Mixen, entfernen Sie den Behälter und verwenden Sie einen Löffel oder eine Gabel, um Speisereste aus dem Behälter zu bekommen.
6. Wenn das Gerät in Betrieb ist, halten Sie den Deckel fest um zu verhindern, dass er sich von alleine öffnet.
7. Während des Betriebs, den Deckel nicht entfernen und stecken Sie ihre Hände nicht in den Behälter.
8. Stecken Sie keine Metallgegenstände, wie Messer, Gabeln, Löffel usw. in den Behälter.
9. Lassen Sie das Gerät nicht für mehr als 2 Minuten im Leerlauf laufen. Dadurch können im Innern hohe Temperaturen entstehen, die wiederum zur Beschädigung des SchmierSystems des Gerätes führen können.
10. Im Falle, dass eine Klinge abfällt oder abbricht, sofort das Gerät ausschalten. Kontaktieren Sie danach eine Vertragswerkstatt.
11. Während der Reinigung oder beim Entfernen von Teilen, vergessen Sie nicht, den Strom auszuschalten und den Netzstecker zu ziehen.
12. Tauchen Sie Gerätebasis nicht ins Wasser. Waschen Sie die Basis nicht direkt unter fließendem Wasser, um Stromschläge zu vermeiden.
13. Reinigen Sie die Klingen nicht mit der bloßen Hand, da sie sehr scharf sind. Verwenden Sie dazu eine Bürste oder einen dicken Putzlappen.
14. Wenn das Gerät überfüllt ist, schaltet Überfüllsicherung das Gerät automatisch aus. Reduzieren Sie die Menge der Lebensmittel im Behälter.
15. Wenn das Gerät nicht funktioniert, ziehen Sie es aus der Steckdose und warten Sie, bis es abgekühlt ist.
16. Wenn das Netzkabel beschädigt ist, muss es von einer autorisierten Reparaturwerkstatt ausgetauscht werden.

Bedienungsfeld

LCD-Anzeige

Wenn das Gerät an eine Steckdose angeschlossen ist, zeigt das LCD-Display die Zeit 00:00 und die Geschwindigkeit Nummer 3 an.

Das Gerät ist im Standby-Modus und alle Tasten leuchten.

Manuelle Einstellung



Time + Time - / Zeit + Zeit -

Um die Betriebsdauer einzustellen (von 5 Sekunden bis 30 Minuten).

- Tipp: Halten Sie die Taste gedrückt, um die Zeit schneller einzustellen.



Speed + Speed - / Geschwindigkeit + Geschwindigkeit -

Um die Arbeitsgeschwindigkeit einzustellen (1-2-3-4-5-6-7-8-H).

- Tipp: Im Handbetrieb sind die Geschwindigkeit und die Betriebsdauer während des Betriebs einstellbar.



Pulse / Impulsfunktion

Achtung: Die Impulsfunktion lässt das Gerät mit der höchsten Geschwindigkeit laufen, achten Sie deshalb darauf, dass der Deckel ordnungsgemäß angebracht ist.

- Tipp: Sie können den Impulsbetrieb dazu verwenden, um den Mixbehälter zu reinigen.

Voreingestellte Programme

Drücken Sie eine beliebige Programmtaste. Diese beginnt zu blinken. Das entsprechende Programm wird auf dem LCD-Bildschirm angezeigt. Zu diesem Zeitpunkt können Sie die Dauer und Geschwindigkeit einstellen. Nach dem Programmstart können Sie die Dauer und Geschwindigkeit nicht mehr ändern.



ON/OFF

Drücken Sie die Power-Taste. Die Taste beginnt zu blinken, die Taste des ausgewählten Programms hört auf zu blinken und leuchtet, alle anderen Programmtasten erlöschen. Die Zeit auf der LCD-Anzeige beginnt rückwärts zulaufen

- Geschwindigkeit + - und Dauer + - sind nur vor dem Programmstart einstellbar, nach dem Programmstart kann man die Dauer und Geschwindigkeit nicht mehr ändern.



Veggie - Gemüse

Drücken Sie diese Taste, um Obst und Gemüse zu verarbeiten, die Geschwindigkeit startet von 1 bis H innerhalb von 5 Sekunden und das Gerät läuft auf höchster Stufe für 2 Minuten.

- Geschwindigkeit + - und Dauer + - sind nur vor dem Programmstart einstellbar, nach dem Programmstart kann man die Dauer und Geschwindigkeit nicht mehr ändern.



Soup - Cremesuppe

Drücken Sie diese Taste, um Suppe zu verarbeiten, die Geschwindigkeit startet von 1 bis H innerhalb von 9 Sekunden, dann läuft das Gerät auf höchster Stufe für 3,5 Minuten.

- Geschwindigkeit + - und Dauer + - sind nur vor dem Programmstart einstellbar, nach dem Programmstart kann man die Dauer und Geschwindigkeit nicht mehr ändern.



Sauce - Soße

Drücken Sie diese Taste, um Soßen zu verarbeiten, die Geschwindigkeit startet von 1 bis 5 innerhalb von 3 Sekunden, dann läuft das Gerät auf mittlerer Stufe 5 für 2,5 Minuten.

- Geschwindigkeit + - und Dauer + - sind nur vor dem Programmstart einstellbar, nach dem Programmstart kann man die Dauer und Geschwindigkeit nicht mehr ändern.



Smoothie

Drücken Sie diese Taste, um Smoothies zu verarbeiten, die Geschwindigkeit startet von 1 bis H innerhalb von 9 Sekunden, dann läuft das Gerät auf höchster Stufe für 1 Minute.

- Geschwindigkeit + - und Dauer + - sind nur vor dem Programmstart einstellbar, nach dem Programmstart kann man die Dauer und Geschwindigkeit nicht mehr ändern.



Nuts - Nüsse

Drücken Sie die Taste, um Nüsse zu verarbeiten, die Geschwindigkeit startet von 1 bis H innerhalb von 5 Sekunden, dann läuft das Gerät auf höchster Stufe für 1 Minute.

- Geschwindigkeit + - und Dauer + - sind nur vor dem Programmstart einstellbar, nach dem Programmstart kann man die Dauer und Geschwindigkeit nicht mehr ändern.



Soy milk - Soja-Milch

Drücken Sie diese Taste, um Sojabohnen zu verarbeiten, die Geschwindigkeit startet von 1 bis 5 innerhalb von 5 Sekunden, dann läuft das Gerät bei der Geschwindigkeit 5 für 5 Sekunden, dann bei der Geschwindigkeit 8 für 10 Sekunden und schließlich läuft das Gerät mit der Geschwindigkeit H (Maximaldrehzahl).

- Geschwindigkeit + - und Dauer + - sind nur vor dem Programmstart einstellbar, nach dem Programmstart kann man die Dauer und Geschwindigkeit nicht mehr ändern.

Achtung: Starten Sie den Mixer stets bei niedrigen Drehzahlen.

Bedienung

Überprüfen Sie vor dem Einschalten folgendes:

Der Behälter ist richtig an der Basis befestigt.

Der Deckel muss den Behälter fest verschließen.

Der Drehzahlregler befindet sich bei niedriger Geschwindigkeit.

1. Schließen Sie das Gerät an eine Steckdose an.
2. Stellen Sie den Behälter auf die Basis.
3. Geben Sie die Lebensmittel in den Behälter. Beachten Sie dabei die MAX Markierung auf dem Behälter.
4. Wenn Sie fertig sind, schalten Sie das Gerät aus und warten Sie, bis das Gerät vollkommen anhält, entfernen und leeren Sie anschließend den Behälter.

Tipps zum Mixen

Beim Befüllen des Behälters mit Lebensmitteln, sollten Sie folgende Reihenfolge beachten. Zuerst gießen Sie Flüssigkeit in den Behälter und geben dann Eis und schließlich die Lebensmittel dazu.

Es ist besser, eine niedrige Geschwindigkeit zu verwenden und dann die Geschwindigkeit zu erhöhen.

Wenn die Lebensmittel stark an die Wand des Behälters geschoben werden, ist eine zu hohe Geschwindigkeit eingestellt. Sie sollten die Geschwindigkeit reduzieren.

Das Gerät ist mit einer Sicherung gegen Überhitzung ausgestattet, um eine Beschädigung des Motors zu verhindern.

Zubereitung

Frucht- oder Gemüsesaft

Schneiden Sie das Obst und/oder Gemüse in kleine Stücke (3,5 cm) und geben Sie sie in den Behälter. Geben dann je Ihren persönlichen Vorlieben Wasser oder Eis dazu. Verschließen Sie den Deckel und schalten das Gerät ein. Starten Sie bei einer niedrigen Geschwindigkeit und erhöhen dann nach Bedarf die Geschwindigkeit. Mixen Sie dann so lange bis der Saft Ihren Wünschen entspricht.

Smoothie/Eiscreme

Geben Sie zuerst das Eis in den Behälter und dann die Flüssigkeit oder Lebensmittel.

Sie können an Stelle von Wasser Milch, Joghurt oder Fruchtsaft verwenden.

Wenn sich die Lebensmittel im Behälter schlecht vermischen, verwenden Sie den Stampfer um die Lebensmittel im Behälter umzurühren.

Wenn Sie Fruchteis zubereiten möchten, dann schälen Sie die Früchte und entfernen mögliche Kerne und geben die Fruchtstücke in die Gefriertruhe, um das Eis zu ersetzen. Dann mixen Sie die Früchte und geben diese wieder in den Gefrierschrank zurück.

Konfitüre/Soßen

Das Gerät kann Konfitüren und Saucen herstellen.

Bei der Konfitüren/Saucen Herstellung, schneiden Sie bitte die Lebensmittel in kleine Stücke (2,5 cm), und geben diese in den Behälter. Geben Sie dann in Abhängigkeit von der Konsistenz und Menge der Lebensmittel Wasser dazu.

Die Mixdauer sollte etwa 15-150 Sekunden betragen, abhängig von der Dicke der Lebensmittel.

Bei Saucen, können Sie andere Flüssigkeiten als Wasser hinzufügen. (zum Beispiel: Milch, Öl, Wein, Fleischbrühe, Orangensaft, Tomatensaft, usw.)

Sojamilch

Kochen Sie Sojabohnen und geben Sie sie in den Behälter. Geben Sie kochendes Wasser hinzu.

Das empfohlene Verhältnis von Wasser und Bohnen ist 5:1.

Starten mit geringer Geschwindigkeit, dann auf hohe Geschwindigkeit umschalten.



Ernährungstipps

1. Wenn Sie den bitteren Geschmack nicht mögen, können Sie Honig hinzufügen. Diabetiker können auch Süßstoffe verwenden.
2. Tomaten haben einen hohen Nährwert und enthalten Stoffe, die Krebs verhindern können. Sie eignen sich auch gut für Menschen, die Probleme mit Arterien haben. Tomaten verlieren während der Wärmebehandlung ihren Nährwert, es ist daher besser, sie im Mixer zu verarbeiten.
3. Papaya enthält hohe Mengen an Kalium und Zucker. Menschen mit Diabetes und Nierenproblemen sollten deshalb vorsichtig bei der Verwendung der Papaya sein.
4. Sellerie eignet sich ausgezeichnet für die Verringerung von Bluthochdruck, es reinigt das Blut und neutralisiert den Calcium- und Säuregehalt im menschlichen Körper. Sellerie stärkt auch das Immunsystem, verhindert Lungenkrebs, Brustkrebs und Prostatakrebs.
5. Karotten enthalten etwa 490 Arten von Nährstoffen, vor allem das Beta-Carotin stärkt die Immunität, hilft bei der Bildung von Zellen, senkt das Cholesterin und reduziert die Leberwerte. Karotten enthalten dazu Kalzium, Kalium, Vitamin B und C und trägt zur Verringerung von Bluthochdruck bei.
6. Sie können an Stelle von Wasser Milch verwenden.
7. Da der Mixer über eine hohe Leistung und Geschwindigkeit verfügt, eignet er sich für Lebensmittel, die für langes Kochen ungeeignet sind oder die beim Kochen ihren Nährwert verlieren.

Reinigung und Pflege

1. Vor der Reinigung ist darauf zu achten, dass das Gerät in die Position OFF geschaltet ist und vom Stromnetz getrennt wurde.
2. Reinigung des Behälters: Füllen Sie den Behälter mit Wasser und drücken die Pulse-Taste für 10 Sekunden, dann schalten Sie das Gerät aus und spülen den Behälter mit Wasser aus.
3. Verwenden Sie einen Schwamm oder Tuch um den Behälter und Deckel abzuwischen, trocknen Sie sie anschließend gründlich ab, um Gerüche oder das Wachstum von Bakterien zu verhindern.
4. Versuchen Sie NICHT die Messerklingen im Behälter mit bloßen Händen zu reinigen. Die Messer sind sehr scharf und können Verletzungen verursachen.
5. Verwenden Sie ein trockenes Tuch, um die Basis abzuwischen, waschen Sie die Basis nicht unter fließendem Wasser und tauchen Sie sie nicht ins Wasser.
6. Alle verschlissenen Teile müssen durch original Teile ersetzt werden. Verwenden Sie niemals billigen Ersatz.
7. Wenn das Gerät nicht funktioniert, schalten Sie es aus und kontaktieren Sie eine Vertragswerkstatt.

Technische daten:

Nennspannung: 220-240 V~

Frequenz: 50 Hz

Leistung: 1 680 W

Max. Geschwindigkeit: 32 000 RPM

Behälter Kapazität: 2,5 l

REZEPTE



Nuss-Milch

Nuss-Milch besteht aus Walnüssen, Cashew-Kernen, Haselnüssen, Macadamia-Nüssen, Pinienkernen oder Samen, Mandeln, Sonnenblumenkernen, Kürbiskernen, Hanf Samen.

Zutaten:

- 1 Tasse Nüsse idealerweise für 4-12 Stunden eingeweicht (Milch kann aus verschiedenen Nüssen, Walnüssen, Cashew-Kernen, Haselnüssen, Macadamia-Nüssen, Pinienkernen oder Samen, Sonnenblumenkerne, Kürbiskernen oder Hanfsamen hergestellt werden.)
- 1 TL Honig oder Agavendicksaft, Dattel-, Pflaumen- oder Kokossirup (nicht notwendig)
- 1 Messerspitze Vanilleschote, Zimt, ein halber Teelöffel Vanille-Extrakt oder andere Lieblingsgewürze (nicht erforderlich)
- 1 Teelöffel Kakaopulver (hergestellt aus rohen Kakaobohnen)
- 2-3 Tassen Wasser - wenn wir wollen, Dickmilch und dafür weniger Wasser und umgekehrt

Zubereitung:

Alle Zutaten in den Mixer geben und mixen bis es glatt ist. Dann gießen Sie die Mischung in einen Nylonstrumpf, in ein feines Sieb oder direkt in einen Nussmilchbeutel und pressen die ganze Milch heraus.

Die Nuss-Milch kann auch mit Zimt, Muskat oder andere Lieblings-Gewürze aromatisiert werden.

Die Nuss-Milch kann in einer geschlossenen Flasche oder einem Behälter für 2-4 Tage im Kühlschrank aufbewahrt werden.

Die Nuss-Milch kann auch mit rohen Kakaopulver aromatisiert werden.

Pürierte und ausgepresste Nüsse können zum Mischen oder für Cocktails verwendet werden.

*Der Hauptgrund für das Einweichen ist die bessere Verdaulichkeit von Nüssen.

Mohn-Milch

Zutaten:

Für die Herstellung sind etwa 1,2 Liter Milch notwendig:

- 200 g Mohnsamen
- 2 l Wasser

Zubereitung:

Die Mohnsamen für 2-3 Stunden im warmen Wasser einweichen, dann werden die Mohnsamen bei hoher Geschwindigkeit gemixt. Die Mohnmilch durch ein feines Sieb oder Tuch auspressen. Wenn Sie eine feinere Struktur der Milch erhalten möchten, wiederholen Sie den Vorgang mehrmals hintereinander.jeme vicekrát.

Mandel-Zimt - Smoothie mit MACA

- 3 Bananen
- 30 ml Kokosmilch
- 4 EL Chia - 2 EL Chia-Samen zum mixen und 2 EL pur
- 1 TL Zimt
- 1 EL MACA Pulver

Smoothie: Grünes Frühstück

- 3 Bananen
- 30 ml Haselnussmilch
- 1 Messbecher - 21 g Schokolade Sunwarrior Blend (Vitalvibe)
- 1 TL Gerste
- 1 TL Bienenpollen
- 15 Stück Chlorella-Algen
- 2 EL Chia-Samen
- 4 Kopfsalatblätter

Schokolade-Kokos - Smoothie mit Datteln

- 3 Stück Bananen
- 2 Stück Apfel
- 2 EL Kokosöl
- 8 Stück Schokolinsen
- 4 EL Chia-Samen
- 1 EL Kakaopulver
- 4 Stück von Datteln
- 1 TL MACA
- 1 TL LUCUMA

REZEPTE



Apfel-Petersilie - Smoothie mit Lucuma

- 5 Äpfel
- 20 ml Wasser
- 100 g Petersilie
- 100 g Feldsalat
- 1 TL Zimt
- 2 EL Chia-Samen
- 1 TL LUCUMA

Spinat Smoothie

- 3 Bananen
- 400 g Spinat

Schokoladenpudding

- 2 Stück geschälte Avocados
- 1 TL Kokosöl
- 1 TL Kakaopulver
- 2 EL Tamarindensirup

Auf geschnittenen Apfelscheiben oder anderen Früchten servieren

Knoblauch Würze

- 2 Stück geschälte Avocados
- 3 Knoblauchzehen
- Saft einer Zitrone
- Himalaya-Salz
- Pfeffer
- Schnittlauch oder andere frische Kräutern

Erdbeeren - Smoothie mit Maqui

- 1 kl. Schüssel Erdbeeren
- 2 TL Chia-Samen
- 50 g Mandeln
- 1 TL MAQUI
- 4 Stück Datteln

Chia Joghurt

- 30 ml Kokosmilch
- 4 EL Chia-Samen
- Um den Geschmack zu verbessern, können Sie zum Beispiel Palm- oder Tamarindensirup, Goji, Maulbeeren, Kakaopulver, Zimt oder mehrere Arten von Obst hinzugeben.

Bananen Eis

- 3 Stück Bananen

Je nach Geschmack: Zimt, rohe Kakaobohnen, Vanille, Agavendicksaft

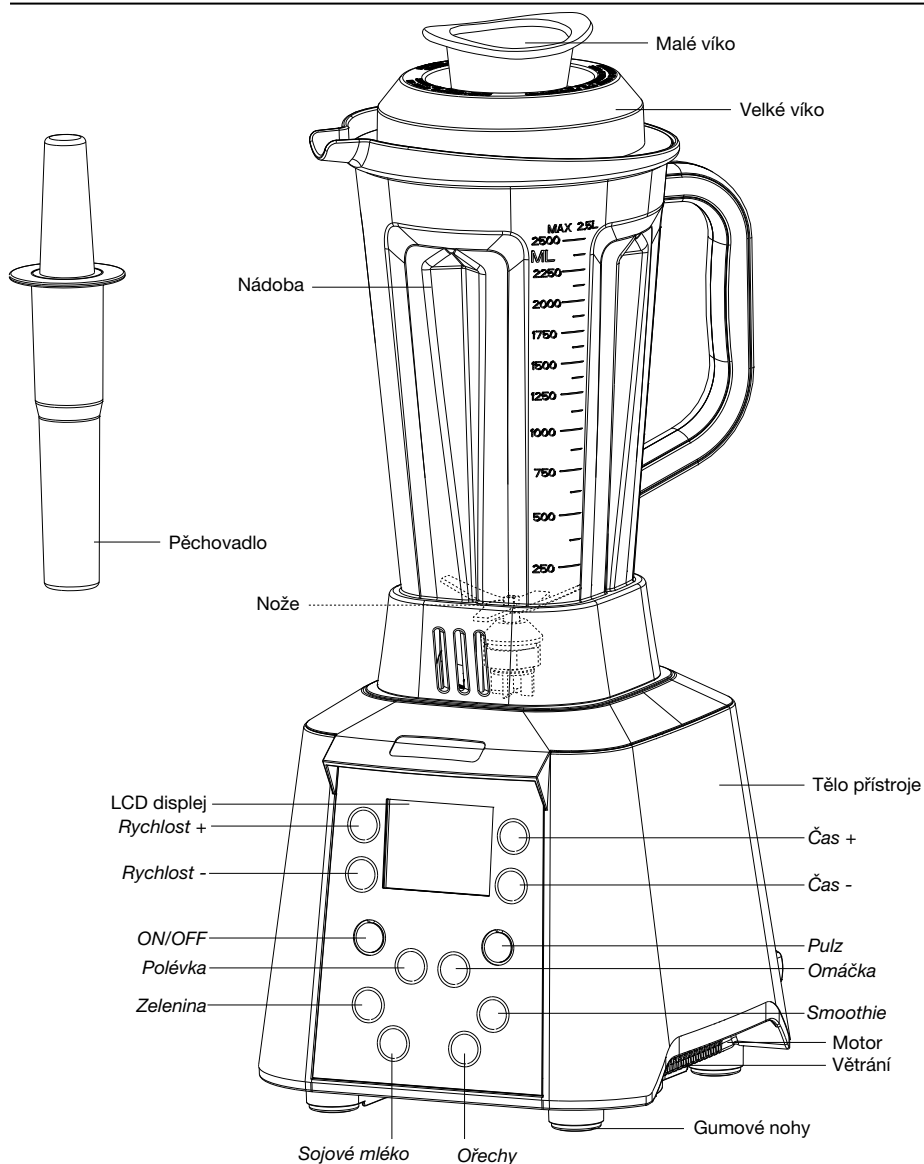
Zubereitung:

Bananen in Stücke schneiden und in der Tiefkühltruhe für 1-2 Stunden einfrieren. Nach dem Einfrieren Bananen im Mixer mit ein wenig Wasser mixen. Mixen bis eine cremige Bananemasse entsteht. Wenn Sie eine cremigere Textur des Bananeneises erhalten möchten, können Sie Cashew-Kerne hinzufügen und zusammen mit den Bananen mixen.

CZ

Děkujeme za nákup našeho výrobku.

Před použitím přístroje si prosím přečtete tento návod, vyhněte se tak neodborné manipulaci s přístrojem.



Upozornění

1. Zkontrolujte, zda přístroj nebyl během transportu poškozen.
2. Zkontrolujte, zda máte všechny části přístroje.
 - 1x manuál
 - 1x mixér
 - Malé víko, velké víko, pěchovadlo, tělo přístroje, nádoba (včetně nožů a přídržné matice).
3. Přístroj umístěte do rovné stabilní polohy, nikdy přístroj nenaklánějte. Neumístujte přístroj do blízkosti hořavin.
4. Přístroj chraňte před přímým slunečním zářením a deštěm.
5. Aby nedošlo k úniku elektrické energie, musí být přístroj zapojen do řádně uzemněné elektrické zásuvky.

Bezpečnostní instrukce

1. Před použitím přístroje si pečlivě přečtěte bezpečnostní instrukce.
2. Ujistěte se, že je přístroj napájen v 220-240 V zásuvce.
3. Tento spotřebič není určen pro používání osobami (včetně dětí) se sníženými fyzickými, smyslovými nebo duševními schopnostmi, nebo nedostatkem zkušeností a znalostí, pokud jim nebyl poskytnut dohled nebo instrukce týkající se použití spotřebiče osobou zodpovědnou za jejich bezpečnost.
4. Nikdy nenechávejte děti, aby si hrály s přístrojem a zajistěte, aby byly v dostatečné vzdálenosti, pokud je přístroj používán.
5. Nikdy nezapomeňte instalovat víko na nádobu. Víko pomáhá pěchovadlu promíchat potraviny uvnitř přístroje. Poté, co se přístroj vypne, vyjměte nádobu a použijte lžici nebo vidličku, abyste vyjmuli zbytky potravin uvnitř nádoby.
6. Při zapnutí přístroje přidržujte víko, abyste zabránili jeho odpadnutí.
7. Během chodu přístroje nikdy nesundávejte víko a nesahejte do vnitřku nádoby.
8. Nikdy do přístroje nevkládejte předměty, jako jsou vidličky, lžice a podobně.
9. Nikdy nenechávejte přístroj běžet na prázdko (bez tekutiny) déle než 2 minuty, chod bez potravin způsobuje generování vysoké teploty, která může nepříznivě ovlivnit mazací systém přístroje.
10. V případě, že vypadne nůž, nebo se zlomí, okamžitě přístroj vypněte. Poté kontaktujte odborný servis.
11. Během čištění nebo odebírání částí přístroj vždy vypněte.
12. Tělo přístroje neponořujte do vody, ani jej nemyjte přímo pod tekoucí vodou, aby nedošlo k úrazu elektrickým proudem.
13. Nikdy nečistěte nože holýma rukama, neboť jsou velmi ostré. Použijte kartáč nebo silný hadřík.
14. Pokud je přístroj přeplněn, pojistka proti přeplnění přístroj automaticky vypne. Prosím, zredukujte množství potravin uvnitř nádoby.
15. Pokud přístroj špatně funguje, vytáhněte jej z elektrické zásuvky a počkejte, dokud teplota přístroje neklesne.
16. Pokud je přírodní kabel poničen, náhrada musí být vždy provedena odborným servisním centrem.

Ovládací panel

LCD obrazovka

Pokud přístroj zapojíte do elektrické zásuvky, LCD obrazovka zobrazuje čas 00:00 a rychlost číslo 3.

Přístroj je v pohotovostním stavu a všechna tlačítka svítí.

Manuální nastavení



Time + Time - / Čas + Čas -

Pro nastavení provozní doby (od 5 vteřin do 30 minut).

- Tip: podržení tlačítka - doba se nastaví rychleji.



Speed + Speed - / Rychlost + Rychlost -

Pro nastavení provozní rychlosti (1-2-3-4-5-6-7-8-H).

- Tip: v manuálním režimu je rychlost a čas během provozu nastavitelný.



Pulse / pulz

Pozor: pulzní funkce se spustí na nejvyšší rychlosti, proto se ujistěte, že je víko přístroje správně připevněno.

- Tip: pulzní chod může být použit pro vyčistění nádoby.

Přednastavené programy

Stiskněte jakékoli programové tlačítko, to začne blikat. Odpovídající program se zobrazí na LCD obrazovce. V tuto chvíli si můžete upravit čas a rychlost mixování. Po spuštění programu nastavení již není možné.



ON/OFF

Stiskněte tlačítko start pro zapnutí. Tlačítko začne blikat, zvolené programové tlačítko přestane blikat a svítí, všechna ostatní programová tlačítka se vypnou. Čas na LCD displeji se začne snižovat.



Veggie - Zelenina

Stiskněte toto tlačítko pro zpracování ovoce a zeleniny, rychlost se spustí od 1 do H v průběhu 5 sekund a přístroj začne pracovat na maximální rychlost po dobu 2 minut.

- Speed + - a Time + - jsou nastavitelná před spuštěním programu, po spuštění programu již nelze čas a rychlost měnit.



Soup - Polévka

Stiskněte toto tlačítko pro zpracování polévky, rychlost se spustí od 1 do H v průběhu 9 sekund, poté přístroj pracuje na maximální rychlost po dobu 3,5 minut.

- Speed + - a Time + - jsou nastavitelná před spuštěním programu, po spuštění programu již nelze čas a rychlost měnit.



Sauce - Omáčka

Stiskněte toto tlačítko pro zpracování omáček, rychlost se spustí od 1 do 5 v průběhu 3 sekund, poté přístroj pracuje na střední rychlost 5 po dobu 2,5 minut

- Speed + - a Time + - jsou nastavitelná před spuštěním programu, po spuštění programu již nelze čas a rychlost měnit.



Smoothie

Stiskněte toto tlačítko pro zpracování smoothie, rychlost se spustí od 1 do H v průběhu 9 s, poté přístroj pracuje na maximální rychlost po dobu 1 minuty.

- Speed + - a Time + - jsou nastavitelná před spuštěním programu, po spuštění programu již nelze čas a rychlost měnit.



Nuts - Ořechy

Stiskněte toto tlačítko pro zpracování ořechů, rychlost se spustí od 1 do H v průběhu 5 s, poté přístroj pracuje na maximální rychlost, po dobu 1 minuty.

- Speed + - a Time + - jsou nastavitelná před spuštěním programu, po spuštění programu již nelze čas a rychlost měnit.



Soy milk - Sojové mléko

Stiskněte toto tlačítko pro zpracování sojových bobů, rychlost se spustí od 1 do 5 v průběhu 5 vteřin, poté přístroj pracuje na rychlost 5 na 5 vteřin, poté se změní na rychlost 8 na 10 sekund a poté se změní na H (maximální rychlost).

- Speed + - a Time + - jsou nastavitelná před spuštěním programu, po spuštění programu již nelze čas a rychlost měnit.

Upozornění: přístroj vždy zapínejte z pozice „MIN“.

Pulzní tlačítko - ON pozice přepíše nastavení rychlosti a rozběhne přístroj na nejvyšší možnou rychlost. Po vypnutí tlačítka přístroj sníží rychlost, až se zcela vypne.

Provoz

Před zapnutím přístroje zkontrolujte následující:

Nádoba je správně připojena k základně.

Víko na nádobě musí být v zajištěné poloze.

Tlačítko rychlosti je v „MIN“ pozici.

1. Zapojte přístroj do elektrické zásuvky.
2. Umístěte nádobu na základnu.
3. Vložte potraviny do nádoby (nikdy nepřesahujte označení MAX na nádobě).
4. Po dokončení vypněte přístroj a počkejte, dokud se přístroj kompletně nezastaví, poté odeberte nádobu a vyprázdněte ji.

Tipy na mixování

Při vkládání potravin dbejte na pořadí. Nejprve vlijte tekutiny, přidejte led a nakonec potraviny.

Je lepší použít nízkou rychlost při startu a poté rychlost zvyšovat.

Jsou-li potraviny během chodu tlačeny na stěny nádoby, nastavili jste příliš vysoké otáčky, rychlost byste měli snížit.

Přístroj je vybaven pojistkou proti přehřátí, aby se předešlo poškození motoru přístroje. Po vypnutí počkejte, než přístroj zcela vychladne, poté přístroj opětovně spusťte. Pokud přístroj nemá dostatečné chlazení, přístroj se znovu nezapne, musíte mu nechat delší dobu na vychladnutí.

Příprava

Příprava ovocného a zeleninového džusu

Zeleninu a ovoce nakrájejte na malé kousky (asi 3,5 cm), poté je vložte do nádoby. Přilijte vodu. Připojte velké víko, malé víko a uveďte přístroj do chodu. Začněte na nízké rychlosti a přejděte na rychlost vyšší. Mixujte do té doby, než je šťáva připravena dle Vašich požadavků.

Příprava smoothie/zmrzliny

Nejprve vložte led, poté přilijte tekutinu a nakonec přidejte potraviny.

Vodu můžete nahradit mlékem, jogurtem nebo ovocným džusem.

Pokud se potraviny uvnitř nádoby nedaří rozmixovat, použijte pěchovadlo na promíchání potravin uvnitř.

Při výrobě ovocné zmrzliny nejprve oloupejte ovoce a odstraňte semínka, poté ovoce vložte do mrazáku, abyste nahradili led. Poté ovoce rozmixujte a opětovně vložte do mrazáku.

Výroba marmelád/omáček

Přístroj dokáže vyrobit marmelády a omáčky. Při výrobě marmelád/omáček, nakrájejte potraviny na kousky silné asi 2,5 cm a vložte do nádoby. Poté přilijte vodu v závislosti na charakteru mixovaných potravin a jejich množství.

Čas by měl být nastaven asi na 15-150 vteřin v závislosti na tloušťce potravin.

Při výrobě omáček můžete přidat jinou ingredienci než kapalinu. (například mléko, olej, víno, vývar, pomerančový džus, rajčatový džus a podobně,...)

Výroba sojového mléka

Uvařte sojové boby a poté je vložte do nádoby a přilijte vařící vodu.

Doporučený poměr voda:boby - 5:1

Spusťte motor na nízké rychlosti, poté přejděte na vysokou rychlost.



Rady

1. Pokud nemáte rádi hořkou chuť, můžete přidat med. Diabetici mohou přidat přírodní sladidla.
2. Rajčata mají vysoké výživové hodnoty, které mohou předcházet rakovině. Jsou dobré také pro lidi, kteří mají problémy s tepny. Rajčata po tepelném opracování ztrácejí výživové hodnoty, proto je lepší je zpracovat v mixéru.
3. Papája má vysoké množství draslíku a cukru. Lidé s cukrovkou a problémy s ledvinami by měli být opatrní s jejím používáním.
4. Celer je výborný pro snížení vysokého krevního tlaku, čistí krev a neutralizuje obsah vápníku a kyselost, která je uvnitř lidského těla. Celer také posiluje imunitní systém, předchází rakovině plic, rakovině prsu a rakovině prostaty.
5. Mrkev obsahuje kolem 490 typů živin, zejména beta karoten, který posiluje imunitu, pomáhá utváření buněk, snižuje cholesterol a snižuje jaterní hodnoty. Mrkev obsahuje vápník, draslík vitamín B a C. Vitamin A pomáhá snižovat vysoký krevní tlak.
6. Místo vody můžete při mixování přidat mléko.
7. Jelikož má mixér vysoký výkon a otáčky, je vhodný pro ovoce, které není odolné vůči dlouhému vaření a vařením ztrácí výživové hodnoty.

Čištění a údržba

1. Před čištěním se ujistěte, že je přístroj vypnut do pozice OFF a vytáhněte jej z elektrické zásuvky.
2. Čištění nádoby: naplňte nádobu vodou, stiskněte na 10 s pulzní chod, poté jej vypněte a propláchněte vodou z kohoutku.
3. Použijte houbu nebo hadřík na vytření přístroje a víka do sucha, abyste zabránili vzniku zápa-
chu a bakterií.
4. Nikdy nevkládejte ruce do nádoby, abyste vyčistili nože. Nože jsou velmi ostré a mohlo by dojít
ke zranění.
5. Použijte suchý hadřík, abyste vytřeli základnu přístroje, nikdy základnu nemyjte pod tekoucí
vodou, ani ji do vody neponořujte.
6. Jakékoliv poničené části přístroje musí být nahrazeny originálními díly. Nikdy nepoužívejte lev-
né náhrady.
7. Pokud přístroj špatně funguje, vypněte jej. Poté se obraťte na odborný servis.

Technické parametry:



Napětí: 220-240 V~

Frekvence: 50 Hz

Výkon: 1 680 W

Maximální otáčky: 32 000 RPM

Max. kapacita nádoby: 2,5 l

RECEPTY



Rostlinná mléka

Rostlinná mléka z kešu, mandlí, vlašských, lískových, makadamových nebo piniových oříšků, nebo slunečnicové, dyňové, konopné semínka atd.

Ingredience:

- 1 kávový hrníček ořechů, ideálně namočených na 4-12 hodin* (mléko jde udělat z jakýchkoliv ořechů - vlašských, kešu, lískových, makadamových, mandlí, piniových oříšků či semenek - slunečnicové, dyňové, konopné)
- 1 lžička medu nebo sirupu z agáve, datlí, švestek, kokosu (na doslazení, není podmínkou)
- 1 špetka vanilkových bobů, skořice, půl lžičky vanilkového extraktu nebo jakékoli oblíbené koření (na dochucení, není podmínkou)
- lžička RAW kakaového prášku (pro přípravu RAW kakaá)
- 2-3 kávové hrníčky vody - pokud chceme mléko husté, použijeme méně vody a naopak

Postup:

Všechny ingredience dáme do mixéru a rozmixujeme do hladka. Poté přelijeme do silonové punčochy přes sítko, či přímo do vaku na oříškové mléko a vymačkáme veškeré mléko.

Oříškové mléko může být dále ochuceno skořicí, muškátovým oříškem či jiným oblíbeným kořením.

Oříškové mléko může být uchováno v uzavřené láhvi či nádobě v ledničce po dobu 2-4 dnů.

Oříšková mléka lze dochutit raw kakaovým práškem, díky čemuž získáte lahodné raw kakaó.

Rozmixovanou vlákninu z ořechů je možné použít do kaší nebo koktejlů.

* důvodem namáčení je lepší stravitelnost ořechů a současně aktivace všech enzymů a informací, které jsou v ořechu jako životodárném semenu uloženy

Makové mléko

Ingredience:

Na výrobu cca. 1,2 litru makového mléka použijeme

- 200 g máku
- 2 litry vody

Postup:

Mák namočíme na 2-3 hodiny do vlažné vody, poté rozmixujeme v mixéru na nejvyšší otáčky. Vzniklé namixované makové mléko přecedíme přes jemné sítko, nebo plátěný sáček. Chceme-li dostat jemnější strukturu mléka, scezení opakujeme vícekrát.

Smoothie: Zelená snídaně

- 3 ks banán
- 3 dcl lískoořechového mléka
- 1 odměrka - 21 gramů - čokoládový SUNWARRIOR BLEND (Vitalvibe)
- 1 kávová lžička ječmene
- 1 kávová lžička včelího pylu
- 15 ks chlorella
- 2 lžice chia semínek
- 4 listy hlávkového salátu

Čokoládovo-kokosové smoothie s datlema

- 3 ks banán
- 2 ks jablko
- 2 lžice kokosového oleje
- 8 ks čokoládových bobů
- 4 lžice chia semínek
- 1 lžice kakaového prášku
- 4 ks datlí
- 1 lžice MACA
- 1 lžice LUCUMA

Mandlovo-skořicové smoothie s Macou

- 3 ks banán
- 3 dcl mandlového mléka
- 4 lžice chia - 2 lžice rozmixovat a dvě lžice po umixování
- 1 kávová lžička skořice
- 1 lžice MACA prášek

RECEPTY



Jablíčkovo-petrželové smoothie s Lucumou

- 5 ks jablka
- 2 dcl osmotické harmonizované vody
- 100 gramů petržele
- 100 gramů polníčku
- 1 polévková lžice skořice
- 2 polévkové lžice chia semínek
- 1 polévková lžice LUCUMA

Špenátové smoothie

- 3 ks banánu
- 400 gramů špenátu

Čokoládový pudink

- 2 ks zralého avokáda
- 1 polévková lžice kokosového tuku
- 1 polévková lžice kakaového prášku
- 2 polévkové lžice datlového sladidla (nebo dle chuti)

Servírujeme na rozkrojeném jablku nebo jiném ovoci

Česneková pomazánka

- 2 ks zralého avokáda
- 3 stroužky česneku
- šťáva z jednoho citrónu
- himalájská sůl
- pepř
- pažitka na dochucení či jiné čerstvé byliny

Jahodové smoothie s Maqui

- 1 hrnek jahod
- 2 polévkové lžice chia semínek
- 50 gramů mandlí
- 1 lžička MAQUI
- 4 ks datlí

Chia jogurt

- 3 dcl kokosového mléka
- 4 lžice chia semínek
- Na dochucení dle chuti palmový nebo datlový sirup, goji, moruše, kakaový raw prášek, skořice a jakékoli ovoce

Banánová zmrzlina

- 3 ks banánu

na dochucení: skořice, raw drcené kakaové boby, vanilka, agáve sirup

Postup:

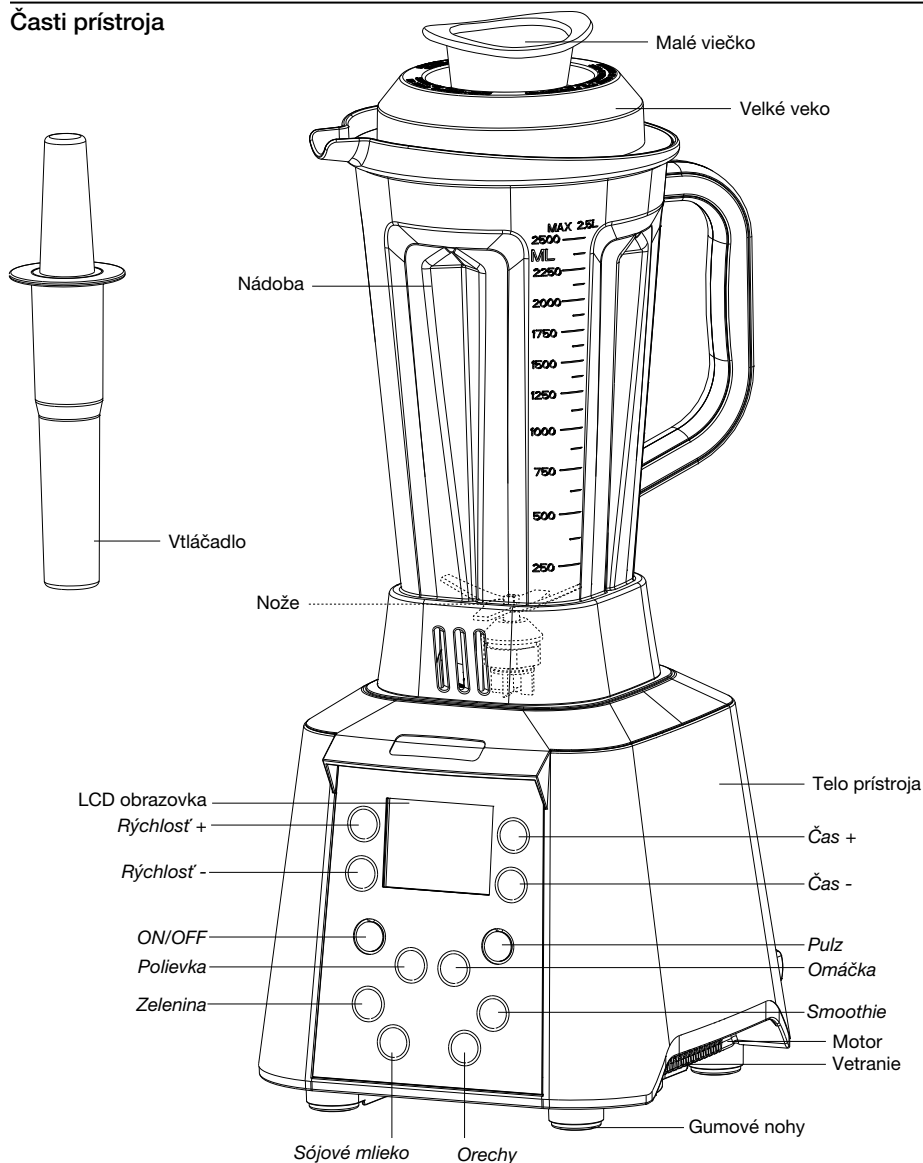
Banány nakrájíme na kolečka a dáme zamrazit na 1-2 hodiny. Po zamrazení vložíme banány do mixéru a přidáme trošku vody. Mixujeme do doby, než dostaneme krémovou banánovou zmrzlinu a dle chuti dochutíme. Chceme-li dostat krémovější strukturu zmrzliny, přidáme kešu ořechy a zamixujeme.

SK

Ďakujeme za nákup nášho výrobku.

Pred použitím prístroja si prosím prečítajte tento návod, vyhnete sa tak neodbornej manipulácii a zaobchádzaniu s prístrojom.

Časti prístroja



Upozornenie

1. Skontrolujte, či prístroj nebol počas expedície poškodený.
2. Skontrolujte, či máte všetky časti prístroja.
 - 1x manuál
 - 1x mixér
 - Veľké veko, malé viečko, vtláčadlo, hlavná časť prístroja, nádoba (vrátane nožov a pridržných matíc).
3. Prístroj umiestnite do rovnej stabilnej pozície, nikdy prístroj nenakláňajte. Neumiestnite prístroj do blízkosti horľavín.
4. Prístroj chráňte pred priamym slnečným žiarením a dažďom.
5. Aby nedošlo k úniku elektrickej energie, musí byť prístroj zapojený do správne uzemnenej elektrickej zásuvky.

Bezpečnostné inštrukcie

1. Pred použitím prístroja si pozorne prečítajte bezpečnostné inštrukcie.
2. Uistite sa, že je prístroj napojený do 220-240 V zásuvky.
3. Tento spotrebič nie je určený pre používanie osobami (vrátane detí) so zníženými fyzickými, zmyslovými alebo duševnými schopnosťami, alebo nedostatkom skúseností a znalostí, pokiaľ im nebol poskytnutý dohľad alebo inštrukcie týkajúce sa použitia spotrebiča osobou zodpovednou za ich bezpečnosť.
4. Nikdy nenechávajte deti, aby sa hrali s prístrojom a zaistite, aby boli v dostatočnej vzdialenosti, ak je prístroj používaný.
5. Nikdy nezabudnite inštalovať veko na nádobu. Veko pomáha vtláčadlu premiešať potraviny vnútri prístroja. Potom, čo sa prístroj vypne, vyberte nádobu a použite lyžicu alebo vidličku, aby ste vybrali zvyšky potravín z vnútra nádoby.
6. Pri zapnutí prístroja pridržiavajte veko, aby ste zabránili jeho odpadnutiu.
7. Počas chodu prístroja nikdy neskladajte veko a nesiahajte do vnútra nádoby.
8. Nikdy do prístroja nekladajte predmety, ako sú vidličky, lyžice a podobne.
9. Nikdy nenechávajte prístroj bežať na prázdno (bez tekutiny) dlhšie ako 2 minúty, chod bez potravín spôsobuje generovanie vysokej teploty, ktorá môže nepriaznivo ovplyvniť mazací systém prístroja.
10. V prípade, že vypadne nôž, alebo sa zlomí, okamžite prístroj vypnite. V tom prípade kontaktujte odborný servis.
11. Počas čistenia alebo odoberania častí prístroj vždy vypnite.
12. Hlavná časť prístroja neponárajte do vody, ani ju neumývajte priamo pod tečúcou vodou, aby nedošlo k úrazu elektrickým prúdom.
13. Nikdy nečistite nože holými rukami, pretože sú veľmi ostré. Použite kefu alebo silný handričku.
14. Ak je prístroj preplnený, poisťka proti preplneniu prístroj automaticky vypne. Prosím, zredukujte množstvo potravín vo vnútornej nádobe.
15. Pokiaľ prístroj zle funguje, vytriahnite ho z elektrickej zásuvky a počkajte, kým teplota prístroja neklesne.
16. Ak je prívodný kábel poničený, náhrada musí byť vždy vykonaná odborným servisným centrom.

Ovládací panel

LCD obrazovka

Ak prístroj zapojíte do elektrickej zásuvky, LCD obrazovka zobrazuje čas 00:00 a rýchlosť číslo 3.

Prístroj je v pohotovostnom stave a všetky tlačidlá svietia.

Manuálne nastavenie



Time + Time - / Čas + Čas -

Pre nastavenie prevádzkovej doby (od 5 sekúnd do 30 minút).

- Tip: podržanie tlačidla – prevádzková doba sa nastaví rýchlejšie.



Speed + Speed - / Rýchlosť + Rýchlosť -

Pre nastavenie prevádzkovej rýchlosti (1-2-3-4-5-6-7-8-H).

- Tip: v manuálnom režime je rýchlosť a čas počas prevádzky nastaviteľný.



Pulse / Pulz

Pozor: pulzný funkcie sa spustí na najvyššej rýchlosti, preto sa uistite, že je veko prístroja správne pripevnené.

- Tip: pulzný chod môže byť použitý pre vyčistenie nádoby.

Prednastavené programy

Stlačte akékoľvek programové tlačidlo, to začne blikať. Zodpovedajúci program sa zobrazí na LCD obrazovke. Vtedy si môžete upraviť čas a rýchlosť mixovania. Po spustení programu nastavenie už nie je možné.



ON/OFF

Stlačte tlačidlo štart pre zapnutie. Tlačidlo začne blikať, zvolené programové tlačidlo prestane blikať a svieti, všetky ostatné programové tlačidlá sa vypnú. Čas na LCD displeji sa začne znižovať.



Veggie - Zelenina

Stlačte toto tlačidlo pre spracovanie ovocia a zeleniny, rýchlosť sa spustí od 1 do H v priebehu 5 sekúnd a prístroj začne pracovať na maximálnej rýchlosti po dobu 2 minút.

- Speed + - a Time + - sú nastaviteľné pred spustením programu, po spustení programu čas a rýchlosť sa už nedá meniť.



Soup - Polievky

Stlačte toto tlačidlo pre spracovanie polievky, rýchlosť sa spustí od 1 do H v priebehu 9 sekúnd, potom prístroj pracuje na maximálnej rýchlosti po dobu 3,5 minút.

- Speed + - a Time + - sú nastaviteľné pred spustením programu, po spustení programu čas a rýchlosť už nemožno meniť.



Sauce - Omáčka

Stlačte toto tlačidlo pre spracovanie omáčok, rýchlosť sa spustí od 1 do 5 v priebehu 3 sekúnd, potom prístroj pracuje na strednou rýchlosti 5 po dobu 2,5 minút.

- Speed + - a Time + - sú nastaviteľné pred spustením programu, po spustení programu čas a rýchlosť sa už nedá meniť.



Smoothie

Stlačte toto tlačidlo pre spracovanie smoothie, rýchlosť sa spustí od 1 do H v priebehu 9 s, potom prístroj pracuje na maximálnej rýchlosti po dobu 1 minúty.

- Speed + - a Time + - sú nastaviteľné pred spustením programu, po spustení programu čas a rýchlosť sa už nedá meniť.



Nuts - Orechy

Stlačte toto tlačidlo pre spracovanie orechov, rýchlosť sa spustí od 1 do H v priebehu 5 s, potom prístroj pracuje na maximálnej rýchlosti po dobu 1 minúty.

- Speed + - a Time + - sú nastaviteľné pred spustením programu, po spustení programu čas a rýchlosť sa už nedá meniť.



Soy milk - Sójové mlieko

Stlačte toto tlačidlo pre spracovanie sójových bôbov, rýchlosť sa spustí od 1 do 5 v priebehu 5 sekúnd, potom prístroj pracuje na rýchlosti 5 na 5 sekúnd, potom sa zmení na rýchlosť 8 na 10 sekúnd a potom sa zmení na H (maximálna rýchlosť).

- Speed + - a Time + - sú nastaviteľné pred spustením programu, po spustení programu čas a rýchlosť sa už nedá meniť.

Upozornenie: prístroj vždy zapínajte z pozície „MIN“.

Pulzné tlačidlo - ON pozícia prepíše nastavenie rýchlosti a rozbehne prístroj na najvyššiu možnú rýchlosť. Po vypnutí tlačidla prístroj zníži rýchlosť, až sa úplne vypne.

Prevádzka

Pred zapnutím prístroja skontrolujte nasledovné:

Nádoba je správne pripojená k základni.

Veko na nádobe musí byť v zajistenej polohe.

Tlačidlo rýchlosti je v „MIN“ pozíciu.

1. Zapojte prístroj do elektrickej zásuvky.
2. Umiestnite nádobu na základňu.
3. Vložte potraviny do nádoby (nikdy nepresahujte označenie MAX na nádobe).
4. Po dokončení vypnite prístroj a počkajte, kým sa prístroj kompletne nezastaví, potom odoberte nádobu a vyprázdňte ju.

Tipy na mixovanie

Pri vkladaní potravín dbajte na poradie. Najprv vlejte tekutiny, pridajte ľad a nakoniec potraviny.

Je lepšie použiť nízku rýchlosť pri štarte a potom rýchlosť zvyšovať.

Ak sú potraviny počas chodu tlačené na steny nádoby, nastavili ste príliš vysoké otáčky, rýchlosť by ste mali znížiť.

Prístroj je vybavený poistkou proti prehriatiu, aby sa predišlo zničeniu motora prístroja. Po vypnutí počkajte, než prístroj úplne vychladne, potom prístroj znovu spustíte. Ak prístroj nemá dostatočné chladenie, prístroj sa znova nezapne, musíte mu nechať dlhšiu dobu na vychladnutie.

Príprava

Príprava ovocného a zeleninového džúsu

Zeleninu a ovocie nakrájajte na malé kúsky (asi 3,5 cm), potom ich vložte do nádoby. Prilejte vodu. Pripojte malé viečko, veľké veko a uveďte prístroj do chodu. Začnite na nízkej rýchlosti a prejdite na rýchlosť vyššiu. Mixujte do tej doby, než je šťava pripravená podľa Vašich požiadaviek.

Príprava smoothie/zmrzliny

Najprv vložte ľad, potom prilejte tekutinu a nakoniec pridajte potraviny.

Vodu môžete nahradiť mliekom, jogurtom alebo ovocným džúsom.

Ak sa potraviny nedarí rozmixovať vo vnútri nádoby, použite vtláčadlo na premiešanie potravín vo vnútri.

Pri výrobe ovocnej zmrzliny najprv olúpte ovocie a odstráňte semienka, potom ovocie vložte do mrazničky, aby ste nahradili ľad. Potom ovocie rozmixujte a opätovne vložte do mrazničky.

Výroba marmelád/omáčok

Prístroj dokáže vyrobiť marmelády a omáčky. Pri výrobe marmelád/omáčok, nakrájajte potraviny na kúsky hrubé asi 2,5 cm a vložte do nádoby. Potom prilejte vodu v závislosti od charakteru mixovaných potravín a od ich množstva.

Čas by mal byť nastavený asi na 15-150 sekúnd v závislosti od hrúbky potravín.

Pri výrobe omáčok môžete pridať inú ingredienciu ako kvapalinu. (Napríklad mlieko, olej, víno, vývar, pomarančový džús, paradajkový džús a podobne, ...)

Výroba sójového mlieka

Uvarte sójové bôby a potom ich vložte do nádoby a prilejte vriacu vodu.

Odporúčaný pomer vody a bôb je 5:1.

Spustite motor na nízkej rýchlosti, potom prejdite na vysokú rýchlosť.



Rady

1. Ak nemáte radi horkú chuť, môžete pridať med. Diabetici môžu pridať prírodné sladidlá.
2. Paradajky majú vysoké výživové hodnoty, ktoré môžu predchádzať rakovine. Sú dobré aj pre ľudí, ktorí majú problémy s tepnami. Paradajky po tepelnom opracovaní strácajú výživové hodnoty, preto je lepšie ich spracovať v mixéri.
3. Papája má vysoké množstvo draslíka a cukru. Ľudia s cukrovkou a problémami s obličkami by mali byť opatrní s jej používaním.
4. Zeler je výborný pre zníženie vysokého krvného tlaku, čistí krv a neutralizuje obsah vápnika a kyslost, ktorá je vo vnútri ľudského tela. Zeler tiež posilňuje imunitný systém, predchádza rakovine pľúc, rakovine prsníka a rakovine prostaty.
5. Mrkva obsahuje okolo 490 typov živín, najmä beta karotén, ktorý posilňuje imunitu, pomáha utváraniu buniek, znižuje cholesterol a znižuje pečeňové hodnoty. Mrkva obsahuje vápnik, draslík vitamín B a C. Vitamín A pomáha znižovať vysoký krvný tlak.
6. Namiesto vody môžete pri mixovaní pridať mlieko.
7. Keďže má mixér vysoký výkon a otáčky, je vhodný pre ovocie, ktoré nie je odolné voči dlhému vareniu a varením stráca výživové hodnoty.

Čistenie a údržba

1. Pred čistením sa uistite, že je prístroj vypnutý do pozície OFF a vytiahnite ho z elektrickej zásuvky.
2. Čistenie nádoby: naplňte nádobu vodou, stlačte na 10 pulzný chod, potom ho vypnite a prepláchnite vodou z kohútika.
3. Použite špongiu alebo handričku na vytrenie prístroja a veka do sucha, aby ste zabránili vzniku zápachu a baktérií.
4. Nikdy nekladajte ruky do nádoby, aby ste vyčistili nože. Nože sú veľmi ostré a mohlo by dôjsť k zraneniu.
5. Použite suchú handričku, aby ste vytreli základňu prístroja, nikdy základňu neumývajte pod tečúcou vodou, ani ju do vody neponárajte
6. Poničené časti prístroja musia byť nahradené originálnymi dielmi. Nikdy nepoužívajte lacné náhrady.
7. Ak prístroj zle funguje, vypnite ho. Potom sa obráťte na odborný servis.

Technické parametre:



Napätie: 220-240 V~

Frekvencia: 50 Hz

Výkon: 1 680 W

Maximálna rýchlosť: 32 000 RPM

Max. kapacita nádoby: 2,5 l

RECEPTY



Rastlinné mlieka

Rastlinné mlieka z vlašských, kešu, lieskových, makadamových či piniových orieškov alebo semienok - mandle, slnečnicové, tekvicové, konopné semienka atď.

Ingrediencie:

- 1 kávový hrnček orechov, ideálne namočených na 4-12 hodín* (mlieko sa dá vyrobiť z akýchkoľvek orechov - vlašských, kešu, lieskových, makadamových, mandlí, piniových orieškov alebo semienok - slnečnicové, tekvicové, konopné)
- 1 lyžička medu či sirupu z agáve, datlí, sliviek, kokosu (na dosladenie, nie je podmienkou)
- 1 štipka vanilkových bôbov, škorice, pol lyžičky vanilkového extraktu alebo akékoľvek obľúbené korenie (Na dochutenie, nie je podmienkou)
- 1 lyžička RAW kakaového prášku (na prípravu RAW kakaa)
- 2 - 3 kávové hrnčeky vody - ak chceme mlieko husté, použijeme menej vody a naopak

Postup:

Všetky ingrediencie dáme do mixéra a rozmixujeme do hladka. Potom prelejeme do silónovej pančušky, cez sitko či priamo do vaku na orieškové mlieko a vytlačíme všetko mlieko.

Orieškové mlieko môže byť ďalej ochutené škoricom, muškátovým orieškom či iným obľúbeným korením.

Orieškové mlieko môže byť uchované v uzavretej fľaši či nádobe v chladničke po dobu 2-4 dní.

Orieškové mlieka môžeme dochutiť raw kakaovým práškom vďaka čomu získame lahodné raw kakao.

Rozmixovanú vlákninu z orechov je možné použiť do kaší alebo kokteílou.

* Dôvodom namáčania je lepšia stráviteľnosť orechov a súčasne aktivácia všetkých enzýmov a informácií, ktoré sú v orechu ako životodarnom semene uložené.

Makové mlieko

Ingrediencie:

Na výrobu cca. 1,2 litra makového mlieka použijeme

- 200 g maku
- 2 litre vody

Postup:

Mak namočíme na 2-3 hodiny vo vlažnej vode, potom rozmixujeme v mixéri na najvyššie otáčky. Vzniknuté namixované makové mlieko precedíme cez jemné sitko, alebo plátenné vrecúško. Ak chceme dosiahnuť jemnejšiu štruktúru mlieka, cedenie opakujeme viackrát.

Mandľovo-škoricové smoothie s Macou

- 3 ks banánov
- 3 dcl mandľového mlieka
- 4 lyžice chia - 2 lyžice rozmixovať a dve lyžice po rozmixovaní
- 1 kávová lyžička škorice
- 1 lyžica MACA prášku

Smoothie: Zelené raňajky

- 3 ks banánov
- 3 dcl lieskovo-orechového mlieka
- 1 odmerka - 21 gramov - čokoládového SUN-WARRIOR BLEND (Vitalvibe)
- 1 kávová lyžička jačmeňa
- 1 kávová lyžička včelieho peľu
- 15 ks chlorelly
- 2 lyžice chia semienok
- 4 listy hlávkového šalátu

Čokoládovo-kokosové smoothie s datľami

- 3 ks banánov
- 2 ks jablák
- 2 lyžice kokosového oleja
- 8 ks čokoládových bôbov
- 4 lyžice chia semienok
- 1 lyžice kakaového prášku
- 4 ks datlí
- 1 lyžica MACA
- 1 lyžica LUCUMA

RECEPTY



Jablko-petržlenové smoothie s Lucumou

- 5 ks jablák
- 2 dcl osmotickej harmonizovanej vody
- 100 gramov petržlenu
- 100 gramov polníčka
- 1 polievková lyžica škoric
- 2 polievkové lyžice chia semienok
- 1 polievková lyžica LUCUMA

Špenátové smoothie

- 3 ks banánov
- 400 gramov špenátu

Čokoládový puding

- 2 ks zrelého avokáda
- 1 polievková lyžica kokosového tuku
- 1 polievková lyžice kakaového prášku
- 2 polievkové lyžice datľového sladidla (alebo podľa chuti)

Servirujeme na rozkrojenom jablku alebo inom ovoci

Cesnaková nátierka

- 2 ks zrelého avokáda
- 3 strúčiky cesnaku
- šťava z jedného citrónu
- himalájska soľ
- čierne korenie
- pažitka na dochutenie či iné čerstvé byliny

Jahodové smoothie s Maqui

- 1 hrnček jahôd
- 2 polievkové lyžice chia semienok
- 50 gramov mandlí
- 1 lyžička MAQUI
- 4 ks datlí

Chia jogurt

- 3 dcl kokosového mlieka
- 4 lyžice chia semienok

Na dochutenie podľa chuti palmový alebo datľový sirup, goji, moruša, kakaový raw prášok, škoric a akékoľvek ovocie

Banánová zmrzlina

- 3 ks banánov

na dochutenie: škoric, raw drvené kakaové bôby, vanilka, agáve sirup

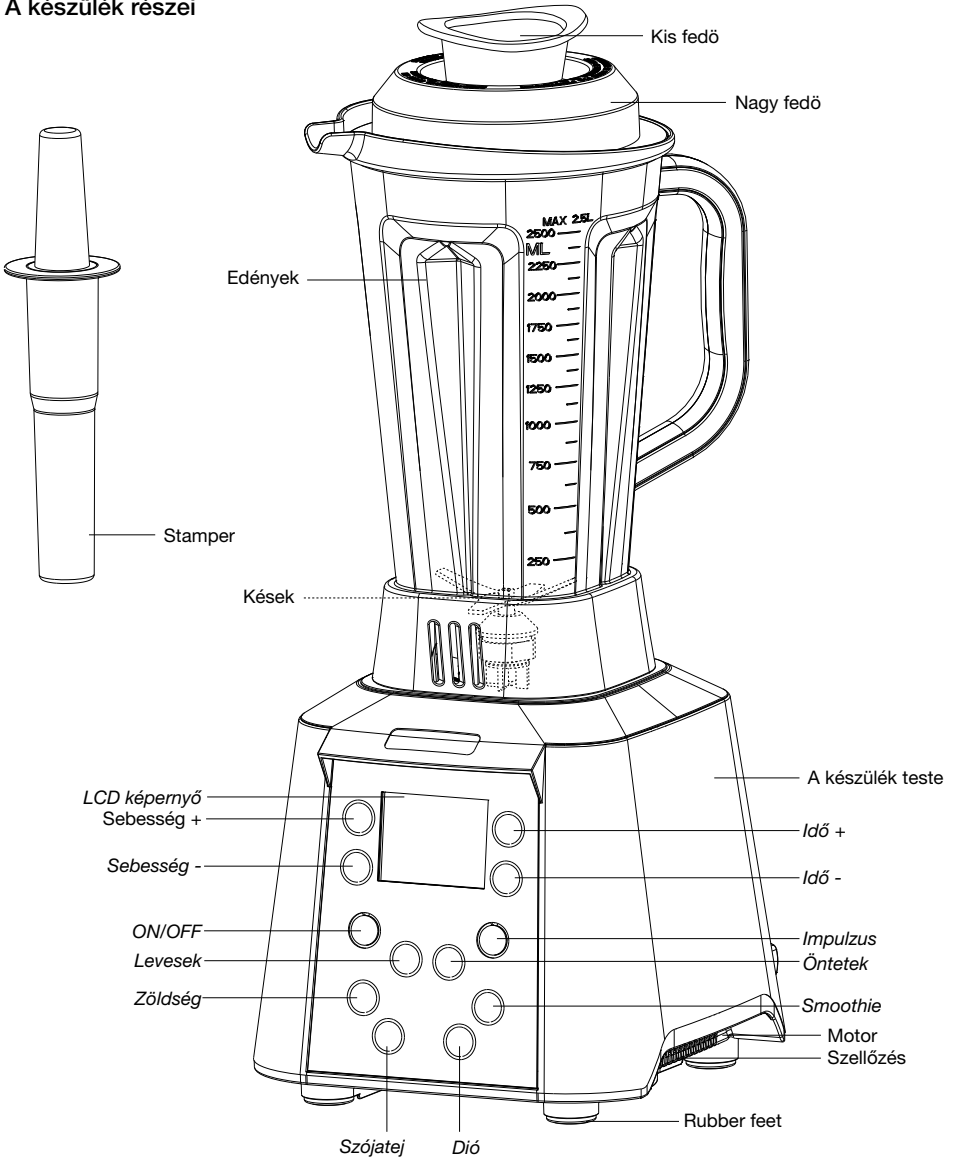
Postup:

Banány nakrájame na kolieska a dáme zamraziť na 1-2 hodiny. Po zamrazení vložíme banány do mixéra a pridáme trošku vody. Mixujeme do doby, kým dostaneme krémovú banánovú zmrzlinu a podľa chuti dochutíme. Ak chceme dosiahnuť krémovjšej štruktúru zmrzliny, pridáme kešu orechy a zamixujeme.

Köszönjük, hogy megvásárolta termékünket.

Használat előtt kérjük olvassa el a használati útmutatót, így megelőzheti az eszköz helytelen használatát.

A készülék részei



Figyelmeztetés

1. Ellenőrizze, hogy a készülék nem sérült meg a szállítás során.
2. Győződjön meg róla, hogy a csomag az összes alkatrészt tartalmazza.
 - 1x használati utasítás
 - 1x turmixgép
 - Kis fedő, nagy fedő, betoló kar, a készülék teste, tartály (beleértve a késeket és rögzítőanyát).
3. Helyezze a készüléket vízszintes, stabil helyzetben van, a készülék nem ferdén. Ne helyezze a készüléket gyűlékony.
4. Óvja a készüléket a közvetlen napfénytől és az esőtől.
5. A szivárgás megakadályozása érdekében a villamos energia, a készüléket be kell dugni egy megfelelően földelt konnektorba.

Biztonsági utasítások

1. A készülék használata előtt figyelmesen olvassa el a biztonsági előírásokat.
2. Győződjön meg arról, hogy a készülék egy 220-240 V aljzatba van bekapcsolva.
3. A készülék használata nem alkalmas csökkent fizikai, érzékszervi vagy mentális képességű emberek (beleértve a gyermekeket is) számára, illetve kevés tapasztalattal vagy ismerettel rendelkezőknek, kivéve ha azok ismertette lettek egy értük felelős személy által a termék használatáról.
4. Soha ne engedje, hogy gyerekek játszanak a készülékkel, használat közben pedig ne engedje őket a gép közelébe.
5. Soha ne felejtse el lezárni a fedőt. A fedő segít a betoló karnak teljesen széttermixolni az ételt. Miután a készülék kikapcsol, mossa el a tartályt. Az ételmaradékot villával vagy kanállal is eltávolíthatja.
6. Bekapcsoláskor rögzítse a kezével a tartály fedelét, hogy az ne essen le.
7. Működés közben ne távolítsa el a fedelet, és ne nyúljon a készülék belsejébe.
8. Soha ne helyezzen a készülékbe olyan tárgyat, mint például villa, kés, kanál...
9. Soha ne működtesse a gépet üresen 2 percnél tovább. A működés élelmiszer nélkül túlmelegedéshez vezethet, ami pedig károsítja a kenési rendszert.
10. Ha a kés kiesne vagy eltörne, azonnal kapcsolja ki a készüléket. Ezután lépjen kapcsolatba a hivatalos szervizzel.
11. Tisztítás vagy szétszerelés előtt mindig kapcsolja ki a készüléket.
12. A készüléket és részeit soha ne mossa folyó víz alatt, hogy elkerülje az áramütést.
13. A késeket ne tisztítsa pusztán kézzel, mert nagyon élesek. Használjon inkább kefért vagy egy rongyot.
14. Ha a készülék túlterhelt, a biztosíték automatikusan kikapcsolja. Ilyenkor kérjük, csökkentse az étel mennyiségét a tartályban.
15. Ha a készülék nem megfelelően működik, húzza ki a konnektorból, és várja meg, amíg a készülék hőmérséklete csökken.
16. Ha a hálózati kábel sérült, ki kell cserélni, melyet csak szakember végezhet el.

Vezérlőpanel

LCD képernyő

Ha a készüléket csatlakoztatja a konnektorba, a képernyőn megjelenik az idő: 00:00, és a 3-as számú sebesség.

A készülék készenléti állapotban van, és az összes gomb világít.

Kézi beállítás



Time + Time - / Idő + Idő -

A működési idő beállítására (5 másodperctől és 30 percig).

- Tipp: Ha lenyomva tartja - idő gyorsabban pörög.



Speed + Speed - / Sebesség + Sebesség -

A működési sebesség beállítására (1-2-3-4-5-6-7-8-H).

- Tipp: kézi beállításnál az idő és a sebesség működés közben is változtatható.



Pulse / Impulzus

Figyelem: a pulzáló funkció csak a legnagyobb sebességnél kapcsol be, ezért győződjön meg róla, hogy a fedél megfelelően le van zárva.

- Tipp: a pulzáló üzemmód használható a tartály tisztítására is.

Előre beállított programok

Nyomja meg bármelyik program gombot, a gomb ezután villogni kezd. A megfelelő program megjelenik az LCD képernyőn. Ezen a ponton beállíthatja időt és a sebességet. A program elindítása után ezt már nem módosíthatja.



ON/OFF

Nyomja meg a Start gombot az elindításhoz. Gomb villog, a kiválasztott program gomb abbahagyja a villogást és világítani kezd. A többi programgomb kikapcsol. Az idő az LCD kijelzőn visszaszámol.



Veggie - Zöldség

Nyomja meg a gombot a zöldség vagy a gyümölcs feldolgozásához. A készülék 1-től a H sebességet 5 másodperc alatt éri el, majd 2 percig folyamatosan működik.

- A sebesség Speed + - és az idő Time + - a program elindítása előtt állítható be, a program elindítása után már nem lehet rajta változtatni.



Soup - Levesek

Nyomja meg a gombot a leves elkészítéséhez. A készülék 1-től a H sebességet 9 másodperc alatt éri el, majd 3,5 percig folyamatosan működik.

- A sebesség Speed + - és az idő Time + - a program elindítása előtt állítható be, a program elindítása után már nem lehet rajta változtatni.



Sauce - Öntetek

Nyomja meg a gombot az öntet készítésére. A sebesség 1-es fokozatról 5-re 3 másodperc alatt gyorsul fel, majd 2,5 percig ezen a középgyors sebességen dolgozik.

- A sebesség Speed + - és az idő Time + - a program elindítása előtt állítható be, a program elindítása után már nem lehet rajta változtatni.



Smoothie

Nyomja meg a gombot a smoothie elkészítéséhez. A készülék 1-től a H sebességet 9 másodperc alatt éri el, majd 1 percig folyamatosan működik.

- A sebesség Speed + - és az idő Time + - a program elindítása előtt állítható be, a program elindítása után már nem lehet rajta változtatni.



Nuts - Dió

Nyomja meg a gombot a dió feldolgozásához. A készülék 1-től a H sebességet 9 másodperc alatt éri el, majd 1 percig folyamatosan működik.

- A sebesség Speed + - és az idő Time + - a program elindítása előtt állítható be, a program elindítása után már nem lehet rajta változtatni.



Soy milk - Szójatej

Nyomja meg a gombot a szójababok feldolgozásához. A készülék 1-től az 5-ös sebességet 5 másodperc alatt éri el, majd 5 percig működik 5-ös sebességen. Ezután 10 másodpercig működik 8-as sebességen, majd felvált a maximális H sebességig.

- A sebesség Speed + - és az idő Time + - a program elindítása előtt állítható be, a program elindítása után már nem lehet rajta változtatni.

Figyelem: a készüléket mindig „MIN” pozícióból indítsa el.

Pulzáló gomb - ON - ez felülírja a beállításokat és a legnagyobb sebességre kapcsolja a gépet. A kikapcsoló gomb megnyomása után fokozatosan csökken a sebesség, míg a készülék le nem áll.

Működtetés

Bekapcsolás előtt ellenőrizze a következőket:

A tartály megfelelően rögzült a testhet.

A fedélnek zárt helyzetben kell lennie.

A kapcsoló „MIN” pozícióban van.

1. Csatlakoztassa a készüléket egy konnektorba.
2. Helyezze a tartályt a testre.
3. Tegye az ételt a tartályba (Soha ne lépje túl a MAX jelzést a tartályon).
4. Ha elkészült, kapcsolja ki a készüléket, és várja meg, amíg a készülék teljesen leáll, majd vegye ki a tartályt, és ürítse ki.

Tippek

Az élelmiszer berakásakor ügyeljen a sorrendre. Először öntse bele a folyadékot, aztán a jeget és végül az élelmiszert.

Ajánlott alacsony sebességen kezdeni, majd azt fokozatosan növelni.

Ha az élelmiszer feltapad a tartály oldalára, túl nagy fordulatszámot választott. Ilyenkor csak csökkentse a sebességet.

A készülék egy biztonsági kapcsolóval van ellátva, mely megakadályozza a készülék túlmelegedését, és ezáltal a motor meghibásodását. Ha a készülék leáll, várja meg, míg teljesen kihűlik, majd indítsa újra. Ha a készülék nem hűlt le egészen, ne kapcsol be újra, hagyja tovább hűlni.

Elkészítés

Gyümölcs-és zöldséglé elkészítése

Vágja fel a zöldséget és a gyümölcsöt apró darabokra (3,5 cm), majd tegye a tartályba. Öntön hozzá vizet. Tegye rá és rögzítse a fedelet, majd kapcsolja be a készüléket. Kezdje alacsony fordulaton, és fokozatosan növelje a sebességet. Turmixolja, amíg a lé elkészül az Ön igényei szerint.

Smoothie/jégkrém elkészítése

Először tegye bele a jeget, majd a folyadékot és végül az élelmiszert.

A vizet helyettesítheti tejjel, joghurttal vagy gyümölcslével.

Ha nem sikerül az élelmiszert szétturmixolni, használja a betoló kart.

Fagyalt készítésekor hámozza meg a gyümölcsöt és távolítsa el a magokat. Hogy a jeget helyettesítse, rakja a gyümölcsöt a fagyasztóba. Miután szétturmixolta a gyümölcsöt újra helyezze a fagyasztóba.

Lekvár/öntet elkészítése

A készülék képes lekvárok és öntetek elkészítésére. Ezek elkészítésekor vágja az élelmiszert kb 2,5 cm vastag darabokra, és tegye a tartályba. Ezután öntsön bele vizet az élelmiszer típusától és a mennyiségétől függően.

Az időt 15-150 másodpercre kell beállítani, az élelmiszer vastagságától függően.

Az öntetek esetében a vízen kívül hozzá lehet adni még más folyadékot is. (például tej, olaj, bor, húsleves, narancslé, paradicsomlé, stb.)

Szójatej elkészítése

Főzze meg a szójababot, rakja őket a tartályba, majd öntsön rá forró vizet.

Az ajánlott víz-bab arány 5:1.

Indítsa el a motort alacsony sebességen, majd fokozatosan növelje a sebességet.



Tanácsok

1. Ha nem tetszik a keserűbb íz, akkor adjon hozzá mézet. Cukorbetegnek használhatnak természetes édesítőszeret.
2. A paradicsom magas tápértékű, továbbá megakadályozza a rákos betegségek kialakulását. Ajánlott továbbá érrendszeri betegségben szenvedőknek is. A paradicsom hőkezelés után elveszíti a tápértékét, ezért jobb turmixgéppel feldolgozni.
3. A papaya nagy mennyiségű káliumot és cukrot tartalmaz. A cukorbetegeknek és a veseproblémákkal küszködőknek csak mértékkel ajánlott a fogyasztása.
4. A zeller kiválóan csökkenti a magas vérnyomást, tisztítja a vért, semlegesíti a savasságot és a magas kalciumszintet az emberi testben. A zeller is erősíti az immunrendszert, megakadályozza tüdőrák, emlőrák és prosztatatarák kialakulását.
5. A sárgarépa körülbelül 490 féle tápanyagot tartalmaz, különösen a béta-karotint, amely erősíti az immunrendszert, segíti az új sejtek kialakulását, csökkenti a koleszterinszintet és csökkenti a máj értékeket. A sárgarépa tartalmaz kalciumot, káliumot, B-vitamint és C-vitamint, ami segít a vérnyomás csökkentésében.
6. Víz helyett hozzáadhat tejet is.
7. Mivel a mixer magas teljesítményen és sebességgel dolgozik, alkalmas olyan gyümölcsök feldolgozására, amely a hosszú főzési és sütési idővel elveszítik a tápértéküket.

Tisztítás és karbantartás

1. A tisztítás előtt győződjön meg róla, a készülék ki van kapcsolva OFF állásban, és húzza ki a konnektorból.
2. A tartály tisztítása: Töltse meg a tartályt vízzel, nyomja meg 10 másodpercre a pulzáló gombot, majd kapcsolja ki és öblítse le csapvízzel.
3. Szivaccsal vagy ronggyal törölje szárazra a tartályt, mellyel megakadályozza, hogy penész vagy baktériumok keletkezzenek benne.
4. Soha ne nyúljon be a tartályba, amikor tisztítja. A pengék nagyon élesek, és sérülést okozhatnak.
5. Száraz ruhával törölgesse le a készülék testét. Ezt soha ne merítse vízbe és ne tegye folyó víz alá sem.
6. Minden sérült alkatrészt a készüléken eredeti alkatrészekkel kell kicserélni. Soha ne használjon olcsó helyettesítőt.
7. Ha a készülék hibásan működik, kapcsolja ki. Ezután lépjen kapcsolatba a márkaszervizzel.

Műszaki adatok:

Névleges feszültség: 220-240 V~

Névleges feszültség: 50 Hz

Teljesítmény: 1 680 W

Max. fordulatszám: 32 000 RPM

Tartályúrtartalom: 2,5 l

RECEPTEK



Növényi tej

Növényi tej dióból, kesudióból, mogyoróból, makadámidióból vagy fenyőmagból, magvakból, mandulából, napraforgómagból, tökmagból, kendermagból, stb.

Hozzávalók:

- 1 kávéscsésze dió, ideális beázatni 4-12 órára* (a tej bármely diófajtából előállítható - dió, kesudió, mogyoró, makadámidió, mandula, fenyőmag és magvak - napraforgó, tők, kender, stb.)
- 1 teáskanál méz vagy agave szirup, datolya, aszalt szilva, kókusz (édesítésre szolgál, nem szükséges hozzáadni)
- 1 csipet vanília bab, fahéj, fél teáskanál vanília kivonat vagy bármely kedvenc fűszer (ízlés szerint, nem szükséges hozzáadni)
- 1 teáskanál nyers kakaópor
- 2-3 kávéscsésze víz –ha sűrű tejet szeretnénk, kevesebb vizet adunk hozzá és fordítva

Az eljárás:

Tegye a hozzávalókat a turmixgépbe, és turmixolja simára. Ezután a levet szűrje át egy szilonharisnyán, egy a szűrőn, vagy egy tejszűrő papíron keresztül. Szűrje át az összes tejet.

A diótej tovább ízesíthető fahéjjal, szerecsendióval vagy egyéb fűszerrel.

A tejet egy lezárt palackban vagy tartályban a hűtőszekrényben kell tartani 2-4 napig. A diótejet nyers kakaóporral lehet ízesíteni, ami folytán finom kakaót kapunk.

A pépesített diót vagy rostanyagot nyugodtan használhatja kásák vagy koktélok készítésére.

* Az áztatás következtében a dió könnyebben emészthető, továbbá aktiválódnak azon enzimek és a tápanyagok, melyeket ez az éltető mag tartalmaz.

Máktej

Hozzávalók:

1,2 liter máktej előállításához szükséges:

- 200 g mák
- 2 liter víz

Az eljárás:

Áztassuk a mákot 2-3 órán keresztül meleg vízben, majd daráljuk szét a turmixgépben a legnagyobb fokozaton. A kapott levet átszűrjük egy finom szűrőn vagy vászonzsákon keresztül. Ha finomabb tejet szeretnénk ismételjük meg a folyamatot többször egymás után.

Smoothie: Zöld reggeli

- 3 db banán
- 3 kg földimogyoró tej
- 1 csésze - 21 gramm protein
- 1 teáskanál árpa
- 1 teáskanál virágpor
- 15 db chlorella
- 2 evőkanál chia mag
- 4 saláta levél

Mandulás fahéjas turmix MACA-val

- 3 db banán
- 3 kg mandulatej
- 4 evőkanál chia - 2 evőkanál szétturmixolt és két evőkanál a turmixolás után
- 1 teáskanál fahéj
- 1 evőkanál őrölt MACA

Csokoládé - kókusz turmix datolyával

- 3 db banán
- 2 alma
- 2 evőkanál kókuszolaj
- 8 db csokoládé bab
- 4 evőkanál chia mag
- 1 evőkanál kakaópor
- 4 db datolya
- 1 evőkanál MACA
- 1 evőkanál Lucuma

RECEPTEK



Almás petrezselymes turmix Lucumával

- 5 db alma
- 2 dcl harmonizált ozmotikus víz
- 100 gramm petrezselyem
- 100 g saláta
- 1 evőkanál fahéj
- 2 evőkanál chia mag
- 1 evőkanál Lucuma

Spenót turmix

- 3 db banán
- 400 gramm spenót

Csokoládé puding

- 2 érett avokádó
 - 1 evőkanál kókuszszír
 - 1 evőkanál kakaópor
 - 2 evőkanál datolya édesítőszer (vagy ízlés szerint)
- Szeletelt almával vagy más gyümölcssel tálalva

Fokhagymás kenő

- 2 érett avokádó
- 3 gerezd fokhagyma
- egy citrom leve
- himalájai só
- fekete bors
- metélőhagyma ízesítésére, vagy más gyógynövények

Eper turmix Maqui-val

- 1 csésze eper
- 2 evőkanál chia mag
- 50 gramm mandula
- 1 teáskanál Maqui
- 4 db datolya

Chia Joghurt

- 3 dcl kókusztej
- 4 evőkanál chia mag

Ízesíthetjük tetszés szerint datolyapálma sziruppal, gojival, eperrel, nyers kakaóporral, fahéjjal és gyümölcscsel.

Banán fagyalt

- 3 db banán

Ízlés szerint: fahéj, tört nyers kakaóbab, vanília, agave szirup

Az eljárás:

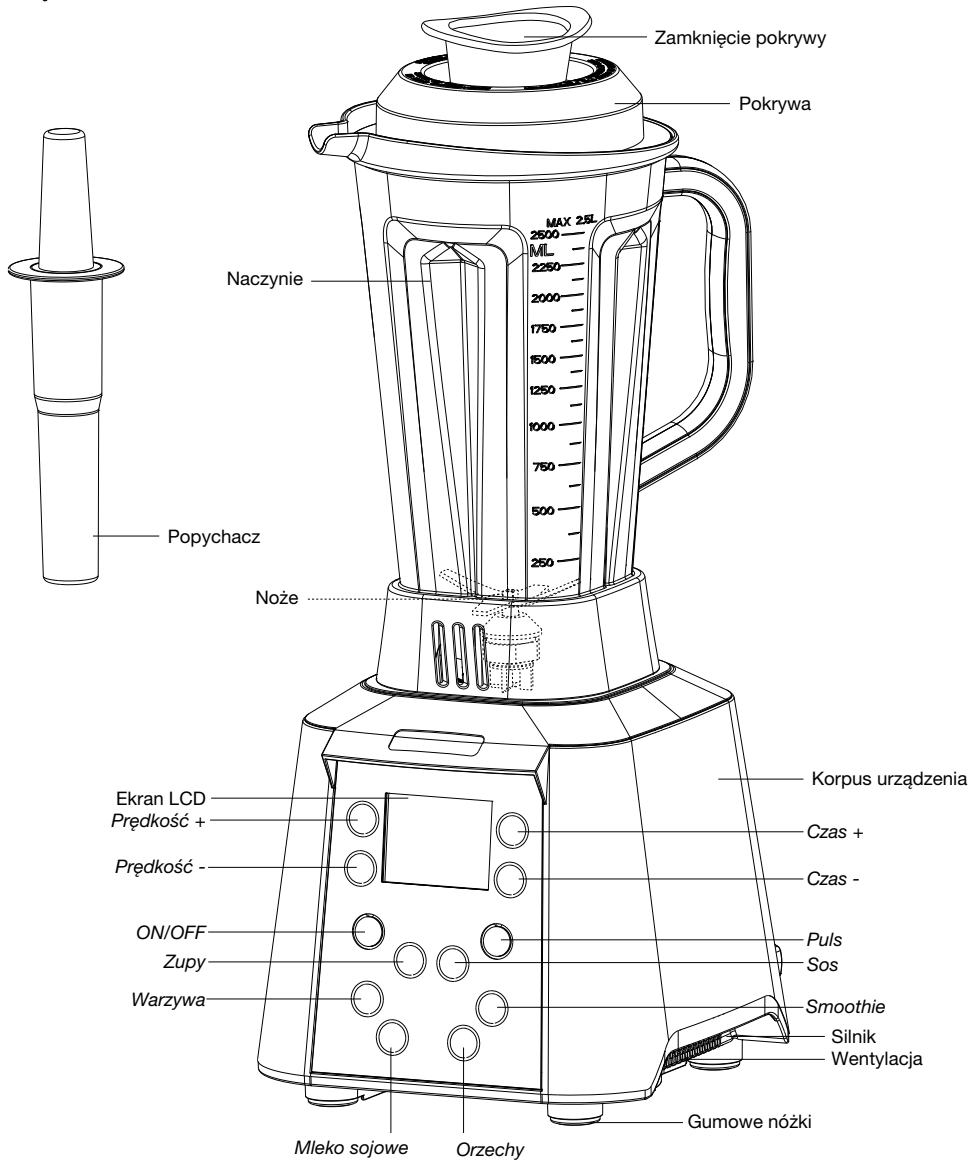
A banánokat vágjuk szeletekre, és hagyjuk a fagyasztóban 1-2 órán át. Miután megfagyott, tegyük a banánt a turmixgépbe, és adjunk hozzá egy kevés vizet. Turmixoljuk mindaddig, míg krémes banán fagyaltot nem kapunk, majd ízesítsük tetszés szerint. Hogy a krémesebb fagyaltot kapjunk, adjuk hozzá kesudiót és turmixoljuk össze.

PL

Dziękujemy za zakup naszego produktu.

Przed użyciem prosimy starannie przeczytać tę instrukcję.

Części miksera



Ostrzeżenie

1. Sprawdź czy w trakcie transportu urządzenie nie zostało uszkodzone.
 - Sprawdź czy masz wszystkie części urządzenia.
 - 1x instrukcja obsługi
 - 1x mikser
2. Pokrywka, zamknięcie pokrywki, popychacz, korpus urządzenia, naczynie (łącznie z nożami i nakrętkami mocującymi).
3. Umieść urządzenie w równej stabilnej pozycji, nigdy nie przechylaj urządzenia. Nie umieszczaj urządzenia w pobliżu materiałów łatwopalnych.
4. Chronić urządzenie przed bezpośrednim działaniem światła słonecznego i deszczu.
5. Aby uniknąć porażenia prądem elektrycznym, urządzenie musi zostać podłączone do prawidłowo uziemionego gniazdka elektrycznego.

Instrukcja bezpieczeństwa

1. Przed użyciem urządzenia starannie przeczytaj instrukcję bezpieczeństwa.
2. Upewnij się, że urządzenie jest zasilane przez gniazdko o napięciu 220-240 V.
3. Urządzenie nie powinno być używane przez osoby (łącznie z dziećmi) o obniżonej sprawności fizycznej, umysłowej czy psychicznej lub bez odpowiedniego doświadczenia i wiedzy, jeśli nie został im zapewniony nadzór bądź nie zostały im przekazane instrukcje dotyczące użycia urządzenia, przez osobę odpowiedzialną za ich bezpieczeństwo.
4. Nie pozostawiaj dzieci w pobliżu urządzenia i upewnij się, że znajdują się w bezpiecznej odległości, kiedy urządzenie będzie w trakcie pracy.
5. Nigdy nie zapominaj o zainstalowaniu pokrywki na naczyniu. Pokrywka pomaga wymieszać produkty w środku urządzenia. Po odłączeniu urządzenia, wyjmij naczynie i użyj łyżeczki bądź widelca, aby usunąć resztki produktów z wnętrza naczynia.
6. Podczas włączania urządzenia przytrzymaj pokrywkę, co zapobiega możliwości jej urwania.
7. W trakcie działania urządzenia nigdy nie zdejmuj pokrywki i nie wkładaj rąk do wnętrza urządzenia.
8. Nigdy nie wkładaj do urządzenia przedmiotów typu widelce, łyżki itp.
9. Nigdy nie pozostawiaj urządzenia włączonego bez obciążenia (bez płynu) dłużej niż 2 minuty, praca urządzenia bez produktów może spowodować wygenerowanie wysokiej temperatury, która może niekorzystnie wpłynąć na układ smarowania urządzenia.
10. W przypadku uszkodzenia lub złamania się noża, natychmiast wyłącz urządzenie. Następnie skontaktuj się ze specjalistycznym serwisem.
11. W trakcie czyszczenia lub odłączania części urządzenie musi być wyłączone.
12. Nie zanurzaj korpusu urządzenia w wodzie ani nie myj go pod bieżącą wodą, aby nie doszło do porażenia prądem.
13. Nigdy nie czyść noży gołymi rękoma, albowiem są one bardzo ostre. Użyj szczoteczki lub twardej gąbki.
14. Jeśli urządzenie jest przepełnione, zabezpieczenie przed przeciążeniem spowoduje automatyczne odłączenie urządzenia. Zredukuj ilość produktów wewnątrz urządzenia.
15. Jeśli urządzenie działa w niewłaściwy sposób, odłącz go od zasilania i poczekaj, aż temperatura urządzenia obniży się.
16. Jeśli przewód zasilający jest uszkodzony, to jego naprawa musi być przeprowadzona przez specjalistyczny serwis.

Panel sterowania

Ekran LCD

podłączenie urządzenia do gniazdka elektrycznego spowoduje, że ekran LCD wyświetli czas 00:00 a wskaźnik prędkości cyfrę 3.

Urządzenie jest w stanie gotowości i wszystkie przyciski są podświetlone.

Ustawienia ręczne



Time + Time - / Czas + Czas -

W celu określenia czasu pracy (od 5 sekund do 30 minut).

- Wskazówka: przytrzymanie przycisku – czas ustawi się szybciej.



Speed + Speed - / Prędkość + Prędkość -

W celu określenia prędkości pracy (1-2-3-4-5-6-7-8-H).

- Wskazówka: w trybie ręcznym prędkość i czas można regulować podczas pracy.



Pulse / Puls

Uwaga. funkcja pulsacyjna spowoduje włączenie najwyższej prędkości, dlatego należy być pewnym, że pokrywka urządzenia jest poprawnie zamknięta.

- Wskazówka: tryb pulsacyjny może być używany do czyszczenia naczyń.

Programy predefiniowane

Naciśnij dowolny przycisk programu - przycisk zacznie migać. Odpowiedni program zostanie wyświetlony na ekranie LCD. W tym miejscu możesz ustawić czas i prędkość mieszania. Po uruchomieniu programu nie jest to już możliwe.



ON/OFF

Naciśnij start, aby włączyć urządzenie. Przycisk zacznie migać, wybrany przycisk programu przestanie migać, a zacznie świecić, pozostałe przyciski programowe zgasną. Czas na wyświetlaczu zaczyna się zmniejszać.



Veggie - Warzywa

Naciśnij ten przycisk w celu przetwarzania owoców i warzyw, prędkość zostanie zwiększona od 1 do H w ciągu 5 sekund, a urządzenie będzie pracować z maksymalną prędkością przez 2 minuty.

- Speed + - i Time + - można ustawić przed uruchomieniem programu, po uruchomieniu programu nie można już zmienić prędkości i czasu.



Soup - Zupy

Naciśnij ten przycisk do przygotowania zup, prędkość zostanie zwiększona od 1 do H w ciągu 9 sekund, potem urządzenie będzie pracować z maksymalną prędkością przez 3,5 minuty.

- Speed + - i Time + - można ustawić przed uruchomieniem programu, po uruchomieniu programu nie można już zmienić prędkości i czasu.



Sauce - Sos

Naciśnij ten przycisk do przygotowania sosów, prędkość zostanie zwiększona od 1 do 5 w ciągu 3 sekund, potem urządzenie będzie pracować z średnią prędkością 5 przez 2,5 minut.

- Speed + - i Time + - można ustawić przed uruchomieniem programu, po uruchomieniu programu nie można już zmienić prędkości i czasu.



Smoothie

Naciśnij ten przycisk do przygotowania smoothie, prędkość zostanie zwiększona od 1 do H w ciągu 9 s, potem urządzenie będzie pracować z maksymalną prędkością przez 1 minutę.

- Speed + - i Time + - można ustawić przed uruchomieniem programu, po uruchomieniu programu nie można już zmienić prędkości i czasu.



Nuts - Orzechy

Naciśnij ten przycisk do przygotowania orzechów, prędkość zostanie zwiększona od 1 do H w ciągu 5 s, potem urządzenie będzie pracować z maksymalną prędkością przez 1 minutę.

- Speed + - i Time + - można ustawić przed uruchomieniem programu, po uruchomieniu programu nie można już zmienić prędkości i czasu.



Soy milk - Mleko sojowe

Naciśnij ten przycisk do przygotowania ziaren soi, prędkość zostanie zwiększona od 1 do 5 w ciągu 5 sekund, potem urządzenie będzie pracować z prędkością 5 przez 5 sekund, potem zostanie zmieniona na prędkość 8 na 10 sekund a później zostanie zmieniona na H (prędkość maksymalna).

- Speed + - i Time + - można ustawić przed uruchomieniem programu, po uruchomieniu programu nie można już zmienić prędkości i czasu.

Ostrzeżenie: włączaj urządzenie zawsze z pozycji „MIN“.

Praca

Przed uruchomieniem urządzenia należy skontrolować:

Poprawne połączenie naczynia z podstawą urządzenia.

Pokrywa dokładnie przylega do naczynia i jest zamknięta.

Przycisk prędkości jest w pozycji „MIN“.

1. Włącz urządzenie do gniazdka elektrycznego.
2. Umieść naczynie na podstawie urządzenia.
3. Włóż składniki do naczynia (nigdy nie przekraczaj oznaczenia MAX na naczyniu).
4. Po zakończeniu wyłącz urządzenie i poczekaj do jego całkowitego zatrzymania się. Następnie odłącz naczynie i wyjmij z niego jedzenie.

Wskazówki dotyczące miksowania

W trakcie wkładania produktów, zwróć uwagę na kolejność. Najpierw wlej płyny, potem lód, a na koniec resztę produktów. Przy starcie lepiej rozpocząć od niższej prędkości, aby potem ją zwiększać.

Jeśli w trakcie działania urządzenia produkt dociskany jest do ścian naczynia, oznacza to, że nastawiłeś zbyt wysokie obroty i należy obniżyć prędkość pracy urządzenia.

Urządzenie zostało wyposażone w zabezpieczenie przed przeciążeniem zapobiegający przegrzaniu silnika urządzenia. Po wyłączeniu urządzenia należy poczekać, aby urządzenie ostygło, a następnie można włączyć je ponownie. Jeśli urządzenie nie ostygło, to nie będzie możliwe jego ponowne włączenie, należy pozostawić je na dłuższą chwilę w celu ochłodzenia się.

Wyroby

Przygotowanie soku owocowego i warzywnego

Pokrój warzywa i owoce na małe kawałki (ok. 3,5 cm), następnie włóż je do naczynia. Dodaj wodę. Nałóż pokrywką, zamknij pokrywki i przygotuj urządzenie do działania. Rozpocznij od niskiej prędkości i przejdź do szybszych obrotów. Miksuj do momentu kiedy uznasz, że sok jest już gotowy.

Przygotowanie smoothie/lodów

Najpierw włóż lód, potem dodaj płyn, a na koniec dodaj resztę produktów.

Wodę możesz zastąpić mlekiem, jogurtem lub sokiem owocowym.

Jeśli nie można rozmiksować produktów wewnątrz naczynia, użyj popychacza do rozmieszania produktów wewnątrz naczynia.

Przy produkcji lodów owocowych obierz najpierw owoce i usuń nasiona, następnie włóż owoce do zamrażalnika, w ten sposób zastąpisz lód. Potem rozmiksuj zamrożone owoce i ponownie włóż je do zamrażalnika.

Przygotowanie marmolad/sosów

Urządzenie potrafi przygotować marmolady i sosy. Przy produkcji marmolad/sosów pokrój produkty na kawałki wielkości ok. 2,5 cm i włóż je do naczynia. Dodaj wodę w zależności od ilości i właściwości miksowanych produktów.

Czas powinien być nastawiony na 15-150 sekund w zależności od zawartości tłuszczu w produktach. Przy produkcji sosów możesz dodać składnik inny niż wodę (np. mleko, olej, wino, bulion, sok pomarańczowy, sok pomidorowy itp.).

Przygotowanie mleka sojowego

Ugotuj ziarna soi, a następnie przełóż do naczynia i dodaj wrzątek.

Proponowana proporcja woda: ziarna 5:1.

Włącz silnik miksera na niskie obroty, potem zwiększ obroty.



Rady

1. Jeśli nie lubisz gorzkiego smaku, możesz dodać miód. Diabetycy mogą dodać naturalne słodziki.
2. Pomidory cechuje wysoka wartość odżywcza, która pomoże w zapobieganiu raka. Są dobre również dla osób, które mają problemy z krążeniem. Pomidory poddane obróbce termicznej tracą wartości odżywcze dlatego lepsze będzie przerobienie ich w mikserze.
3. Papaja posiada duże ilości potasu i cukru. Osoby z cukrzycą i posiadające problemy z nerkami powinny uważać na jej spożywanie.
4. Seler jest idealny w obniżaniu wysokiego ciśnienia, oczyszcza krew i neutralizuje zawartość wapnia i odkwasza organizm. Seler wzmacnia również system odpornościowy, zapobiega rakowi płuc, piersi i prostaty.
5. Marchew zawiera 490 rodzajów wartości odżywczych, zwłaszcza beta karoten, który wzmacnia system odpornościowy, pomaga w produkcji komórek, obniża cholesterol oraz reguluje pracę wątroby. Zawiera również wapń, potas, witaminy B i C. Zawarta w marchwi witamina A obniża wysokie ciśnienie.
6. W trakcie miksowania zamiast wody możesz dodać mleko.
7. Ponieważ mikser ma wysoką moc i może pracować na wysokich obrotach, nadaje się do miksowania owoców, które nie są wytrzymałe na długie gotowanie i przez to tracą swoje wartości odżywcze.

Czyszczenie i konserwacja

1. Przed czyszczeniem upewnij się, że urządzenie jest wyłączone na pozycji OFF i odłącz je od zasilania.
2. Czyszczenie naczynia: napełnij naczynie wodą, na 10 s wciśnij program pulsacyjny, potem wyłącz program i przepłucz naczynie wodą z kranu.
3. Użyj gąbki lub ściereczki, aby wytrzeć urządzenie i pokrywkę do sucha, co powstrzyma przed powstaniem nieprzyjemnego zapachu oraz bakterii.
4. Nigdy nie wkładaj rąk do naczynia, jeśli chcesz wyczyścić noże. Noże są bardzo ostre i mogłyby dojść do zranienia.
5. Użyj suchej szmatki, aby wytrzeć podstawę urządzenia, nigdy nie myj podstawy urządzenia pod bieżącą wodą i nie zanurzaj jej w wodzie.
6. Wszelkie uszkodzone części urządzenia muszą zostać zastąpione oryginalnymi częściami. Nigdy nie wymieniaj ich na tańsze zamienniki.
7. Jeśli urządzenie nie działa prawidłowo, wyłącz je. Następnie udaj się do specjalistycznego serwisu.

Parametry techniczne:



Napięcie znamionowe: 220-240 V~

Częstotliwość: 50 Hz

Wydajność: 1 680 W

Max. prędkość: 32 000 RPM

Pojemność naczynia: 2,5 l

Zdjęcia wykorzystane w tym podręczniku są jedynie ilustracją i nie może dokładnie dopasować produkt.

PRZEPISY



Mleka roślinne

Mleka roślinne z nerkowca, migdałów, orzechów włoskich, laskowych, makadamii lub pinii, nasion słonecznika, dyni, konopi itd.

Składniki:

- 1 filiżanka orzechów, moczonych przez 4-12 godzin* (mleko można zrobić z dowolnych orzechów - włoskich, nerkowców, laskowych, makadamii, migdałów lub pinii, nasion słonecznika, dyni, konopi)
- 1 łyżeczka miodu lub syropu z agawy, daktyli, śliwek, kokosa (do dosłodzenia, nie jest wymagana)
- 1 szczypta pestek wanilii, cynamonu, pół łyżeczki ekstraktu waniliowego lub innej ulubionej przyprawy (do smaku, nie jest wymagana) łyżeczka RAW kakao (do przygotowania RAW kakao)
- 2-3 filiżanki wody - jeżeli chcemy uzyskać mleko gęste użyć mniej wody i odwrotnie

Wykonanie:

Wszystkie składniki umieścić w mikserze i zmiksować na gładko. Następnie przelać do styronowej pończochy przez sitko, czy bezpośrednio do torby do mleka orzechowego i wycisnąć całe mleko.

Do mleka orzechowego można dodać do smaku cynamonu, gałki muszkatołowej lub innej ulubionej przyprawy.

Mleko orzechowe można przechowywać w zamkniętej butelce lub pojemniku w lodówce przez 2-4 dni.

Do mleka orzechowego można dodać do smaku RAW kakao, przez co uzyskamy łagodne kakao RAW.

Zmiksowane włókna z orzechów można użyć do kaszki lub koktajli.

* moczenie wpływa na poprawę strawności orzechów i jednocześnie aktywuje wszystkie enzymy, zawarte w orzechu.

Mleko makowe

Składniki:

Do uzyskania około 1,2 litra mleka makowego należy użyć

- 200 g maku
- 2 litry wody

Wykonanie:

Mak zamoczyć na 2-3 godziny w ciepłej wodzie, następnie zmiksować w mikserze na najwyższych obrotach.

Powstałe zmiksowane mleko makowe przecedzić przez drobne sitko lub woreczek z płótna. W celu osiągnięcia delikatniejszej struktury mleka, cedzenie należy powtórzyć kilkakrotnie.

Smoothie: Zielone śniadanie

- 3 banany
- 3 dcl mleka z orzechów laskowych
- 1 miarka - 21 gramów czekoladowy SUNWA-RRIOR BLEND (Vitalvibe)
- 1 łyżeczka jęczmienia
- 1 łyżeczka pyłku pszczelego
- 15 szt. chlorella
- 2 łyżki nasion chia
- 4 liście sałaty

Czekoladowo-kokosowe smothie z daktylami

- 3 banany
- 2 jabłka
- 2 łyżki oleju kokosowego
- 8 ziaren kakao
- 4 łyżki nasion chia
- 1 łyżka kakao
- 4 daktyle
- 1 łyżka MACA
- 1 łyżka LUCUMA

Smoothie migdałowo-cynamonowe z Maca

- 3 banany
- 3 dcl mleka migdałowego
- łyżki chia - 2 łyżki zmiksować a dwie łyżki po zmiksowaniu
- 1 łyżeczka cynamonu
- 1 łyżka proszku MACA

PRZEPISY



Smoothie jabłkowo - pietruszkowe z Lucumą

- 5 jabłek
- 2 dcl wody mineralizowanej
- 100 gramów pietruszki
- 100 gramów roszonej
- 1 łyżka cynamonu
- 2 łyżki nasion chia
- 1 łyżka LUCUMA

Smoothie szpinakowe

- 3 banany
- 400 gramów szpinaku

Pudding czekoladowy

- 2 szt. dojrzałego awokado
- 1 łyżka oleju kokosowego
- 1 łyżka kakao
- 2 łyżki słodzika daktylowego (lub do smaku)

Podawać na rozkrojonym jabłku lub innym owocu

Pasta czosnkowa

- 2 szt. dojrzałego awokado
- 3 ząbki czosnku
- sok z jednej cytryny
- sól himalajska
- pieprz
- szczypiorek lub inne zioła dla nadania smaku

Smoothie truskawkowe z Maqui

- kubek truskawek
- 2 łyżki nasion chia
- 50 gramów migdałów
- 1 łyżeczka MAQUI
- 4 daktyle

Chia jogurt

- 3 dcl mleka kokosowego
- 4 łyżki nasion chia
- Do smaku dodać syrop palmowy lub daktylowy, goji, RAW kakao, cynamon i dowolne owoce

Lody bananowe

- 3 banany

do smaku: cynamon, RAW mielone ziarno kakao, wanilia, syrop z agawy

Wykonanie:

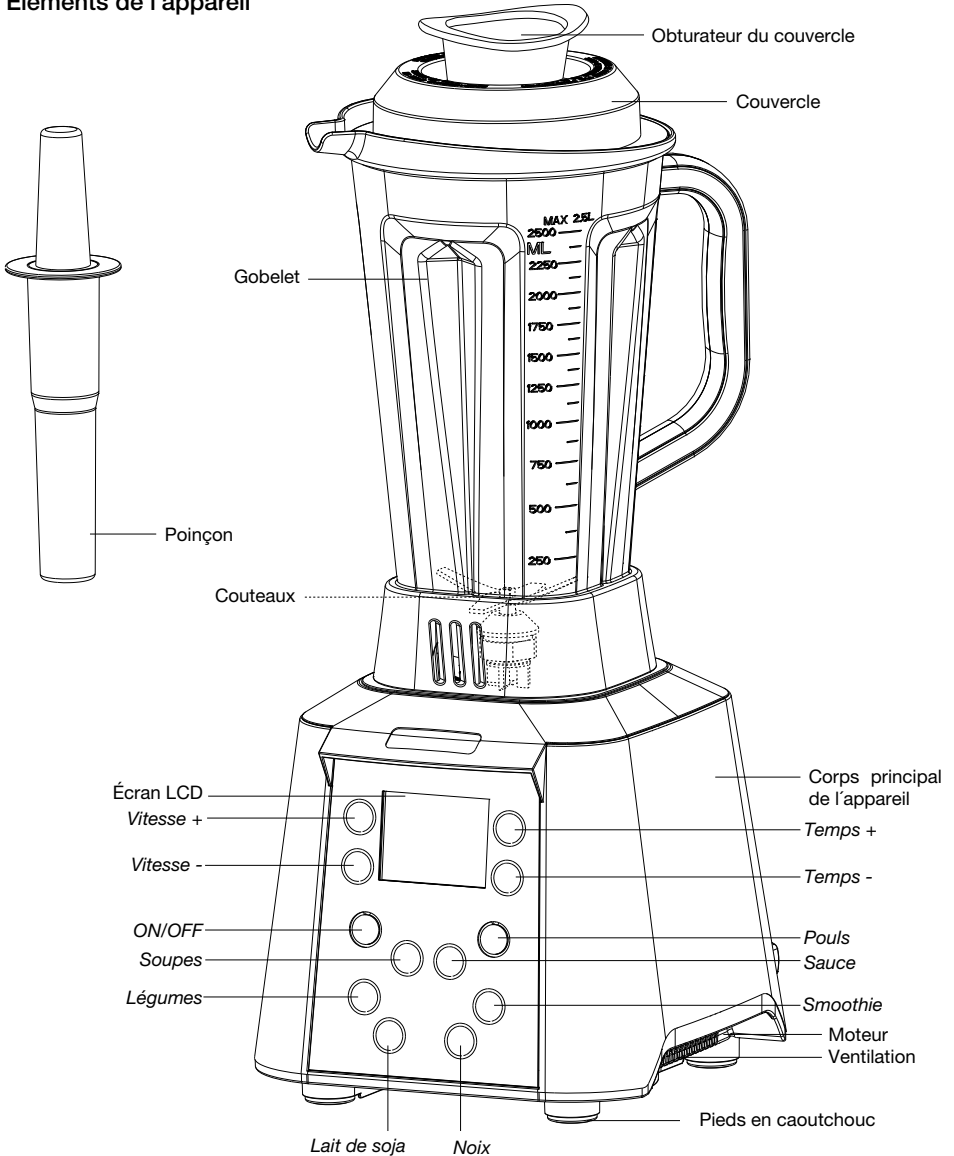
Banany pokroić w plasterki i zamrozić przez 1-2 godzin. Po zamrożeniu banany włożyć do miksera i dodać trochę wody. Miksować do chwili, aż osiągniemy kremowe bananowe lody i doprawić do smaku. Jeżeli chcemy otrzymać bardziej kremową strukturę lodów, dodać orzechy cache i zmiksować.

FR

Nous vous remercions pour l'achat de notre produit.

Avant toute utilisation veuillez lire attentivement ce mode d'emploi.

Éléments de l'appareil



Préavis

1. Assurez-vous que l'appareil n'a pas été endommagé pendant le transport.
2. Assurez-vous d'avoir toutes les parties composantes de l'appareil.
 - 1x mode d'emploi
 - 1x mixeur
 - Couvercle, obturateur, poinçon, partie principale de l'appareil, gobelet (y compris les couteaux et les écrous de retenue).
3. Mettre l'appareil dans la position stable, recommandation de jamais n'incliner l'appareil. Ne pas le placer à proximité des produits inflammables.
4. Protéger l'appareil de la lumière directe du soleil et de la pluie.
5. Pour éviter les fuites d'électricité il faut brancher l'appareil sur une prise électrique correctement mise à la terre.

Instructions de sécurité

1. Avant d'utiliser l'appareil lisez attentivement les instructions de sécurité.
2. Assurez-vous que l'appareil est alimenté dans la prise de courant de 220-240 V.
3. Cet appareil n'est pas destiné à être utilisé par des personnes (y compris des enfants) ayant un handicap physique, sensoriel ou mental ou un manque d'expériences et de connaissances, à moins qu'elles ne soit surveillées ou instruites par une personne responsable de leur sécurité.
4. Ne laissez jamais les enfants de jouer avec l'appareil et assurez-vous qu'ils se trouvent à une distance suffisante lorsque l'appareil est utilisé.
5. N'oubliez jamais de placer le couvercle au gobelet. Le couvercle aide le poinçon à mélanger les produits alimentaires à l'intérieur de l'appareil. Lorsque l'appareil est éteint, enlever le gobelet et utilisez une cuillère ou une fourchette pour enlever les restes des produits alimentaires à l'intérieur du gobelet.
6. Lorsque l'appareil est mis en marche, maintenez le couvercle pour éviter son décollage.
7. Jamais n'enlevez le couvercle pendant le fonctionnement de l'appareil et ne touchez pas dans l'intérieur du gobelet.
8. Jamais n'introduisez dans l'appareil les objets tels que les fourchettes, les cuillères etc.
9. Jamais ne laissez l'appareil mis en marche à vide (sans liquide) plus de 2 minutes, la marche sans produits alimentaires génère de hautes températures pouvant influencer de manière défavorable le système de lubrification de l'appareil.
10. Dans le cas où le couteau échoue ou il est cassé, mettez immédiatement l'appareil hors marche. Après consultez un service professionnel.
11. Il faut que l'appareil soit mis hors marche pendant chaque nettoyage ou enlèvement des parties particulières.
12. N'immergez pas le corps principal de l'appareil dans l'eau et ne le lavez pas sous l'eau courante pour éviter un choc électrique.
13. Jamais ne nettoyez les couteaux avec les mains nues parce qu'ils sont très pointus. Utilisez une brosse ou un chiffon fort.
14. Si l'appareil est surchargé, le fusible de débordement automatiquement éteint l'appareil. Prière de diminuer la quantité de nourriture à l'intérieur du gobelet.
15. Si l'appareil ne fonctionne pas correctement, débranchez-le de la prise électrique et attendez jusqu'à ce que la température de l'appareil diminue.
16. Si le câble d'amenée est endommagé, le remplacement doit être toujours effectué par un centre de service professionnel.

Panneau de commande

Écran LCD

si l'appareil est branché dans une prise électrique, l'écran LCD affiche l'heure 00:00 et la vitesse numéro 3.

L'appareil est en mode de veille et tous les boutons sont allumés.

Réglage à main



Time + Time - / Temps + Temps -

Pour régler les temps de service (de 5 secondes à 30 minutes).

- Conseil: retenue du bouton – le temps est réglé plus vite.



Speed + Speed - / Vitesse + Vitesse -

Pour régler les vitesses de service (1-2-3-4-5-6-7-8-H).

- Conseil: la vitesse et le temps sont réglables en mode manuel.



Pulse / Pouls

Attention: la fonction d'impulsion est mise en marche à la vitesse maximale, donc, servez-vous que le couvercle de l'appareil est correctement fixé.

- Conseil: la marche d'impulsion peut être utilisée pour nettoyer le gobelet.

Programmes pré-réglés

Appuyez sur n'importe quel bouton de programme, il se met à clignoter. Le programme correspondant s'affiche à l'écran LCD. À ce stade vous pouvez modifier l'heure et la vitesse de mélange.



ON/OFF

Une fois mis en marche, le réglage n'est plus possible.

Appuyez sur le bouton start pour mettre en marche. Le bouton se met à clignoter, le bouton de programme sélectionné arrête de clignoter et s'allume, tous les autres boutons de programme sont désactivés. L'heure à l'écran LCD commence à diminuer.



Veggie - Légumes

Appuyez sur le bouton-ci pour traiter les fruits et légumes, la vitesse démarre de 1 jusqu'à H pendant 5 secondes et l'appareil commence à travailler à la vitesse maximale pendant 2 minutes.

- Speed + - et Time + - sont réglables avant de démarrer le programme, après de démarrer le programme l'heure et la vitesse ne peuvent être modifiés.



Soup - Soupes

Appuyez sur le bouton-ci pour traiter une soupe, la vitesse démarre de 1 jusqu'à H pendant 9 secondes, puis l'appareil travaille à la vitesse maximale pendant 3,5 minutes.

- Speed + - et Time + - sont réglables avant de démarrer le programme, après de démarrer le programme l'heure et la vitesse ne peuvent être modifiés).



Sauce - Sauce

Appuyez sur le bouton-ci pour traiter des soupes, la vitesse démarre de 1 jusqu'à 5 pendant 3 secondes, puis l'appareil travaille à la vitesse moyenne 5 pendant 2,5 minutes.

- Speed + - et Time + - sont réglables avant de démarrer le programme, après de démarrer le programme l'heure et la vitesse ne peuvent être modifiés).



Smoothie

Appuyez sur le bouton-ci pour traiter une smoothie, la vitesse démarre de 1 jusqu' à H pendant 9 secondes, puis l'appareil travaille à la vitesse maximale pendant 1 minute.

- Speed + - et Time + - sont réglables avant de démarrer le programme, après de démarrer le programme l'heure et la vitesse ne peuvent être modifiés.



Nuts - Noix

Appuyez sur le bouton-ci pour traiter des noix, la vitesse démarre de 1 jusqu' à H pendant 5 secondes, puis l'appareil travaille à la vitesse maximale pendant 1 minute.

- Speed + - et Time + - sont réglables avant de démarrer le programme, après de démarrer le programme l'heure et la vitesse ne peuvent être modifiés.



Soy milk - Lait de soja

Appuyez sur le bouton-ci pour traiter soja, la vitesse démarre de 1 jusqu' à 5 pendant 5 secondes, puis l'appareil travaille à la vitesse 5 pendant 5 secondes, puis la vitesse est changée à la vitesse 8 pendant 10 secondes et puis elle est chngée à H (vitesse maximale).

- Speed + - et Time + - sont réglables avant de démarrer le programme, après de démarrer le programme l'heure et la vitesse ne peuvent être modifiés.

Préavis: mettez toujours l'appareil en marche à partir de la position „MIN“.

Fonctionnement

Avant d'enclencher l'appareil, vérifiez les points suivants:

Le gobelet est correctement connecté au fond.

Le couvercle ajuste étroitement sur le gobelet et il est en position verrouillée.

Le bouton de vitesse est en position „MIN“.

1. Branchez l'appareil dans une prise électrique.
2. Placez le gobelet au fond.
3. Mettez les produits alimentaires dans le gobelet (jamais ne dépassez la marque MAX au gobelet).
4. Lorsque vous avez terminé, attendez jusqu'à ce que l'appareil soit complètement arrêté, puis enlevez le gobelet et videz-le.

Conseils pour mélanger

Respectez l'ordre en déposant les produits alimentaires. Premièrement versez les liquides, ajoutez de la glace et puis les produits alimentaires.

Il vaut mieux d'utiliser une faible vitesse au début et puis augmenter la vitesse.

Si les produits alimentaires sont poussés sur la paroi du gobelet pendant la marche, vous avez réglé la vitesse trop élevée, la vitesse doit être diminuée.

L'appareil est équipé d'une protection contre les surcharges pour éviter un endommagement du moteur de l'appareil. Après de le couper, attendez jusqu'à ce que l'appareil tout refroidit et re-mettez-le en marche. Si l'appareil ne dispose pas d'un refroidissement suffisant, l'appareil ne re-met en marche, il faut le laisser refroidir pendant un temps prolongé.

Préparation

Préparation du jus de fruits et de légumes

Coupez les légumes et fruits en petits morceaux (environ 3,5 cm) et placez-les dans un gobelet. Ajoutez de l'eau. Placez le couvercle, l'obturation du couvercle et mettez l'appareil en marche. Commencez par une faible vitesse et passez à la vitesse plus élevée. Mélangez jusqu'à ce que le jus soit préparé selon vos besoins.

Préparation de smoothie/de la glace

D'abord placez de la glace, puis versez du liquide et puis les produits alimentaires.

L'eau peut être remplacée par le lait, le yaourt ou le jus de fruits.

Si on ne réussit pas à mélanger les produits alimentaires à l'intérieur du gobelet, servez-vous du poinçon pour mélanger des produits alimentaires se trouvant à l'intérieur.

Pour produire la glace de fruits, pelez des fruits et enlever les pépins, puis mettez dans le congélateur pour remplacer la glace. Puis remélangez et remettez dans le congélateur.

Production de confitures/de sauces

L'appareil peut produire des confitures et sauces. Pour produire des confitures/sauces coupez les produits alimentaires en morceaux de 2,5 cm environ et mettez-les dans le gobelet. Puis ajoutez de l'eau en fonction de la nature des produits alimentaires mélangés et de leur quantité.

Le temps doit être fixé à environ 15-150 secondes en fonction de l'épaisseur de l'aliment.

Si on produit des sauces, on peut ajouter même d'autres ingrédients différent de liquide (par exemple du lait, de l'huile, du vin, du bouillon, du jus d'orange, du jus de tomates etc...)

Production du lait de soja

Faites cuire les fèves de soja et insérez-les dans le gobelet et ajoutez de l'eau bouillante.

Le rapport de l'eau et des fèves de soja: 5:1.

Faites tourner le moteur à basse vitesse, puis passez à la grande vitesse.



Conseils

1. Si vous n'aimez pas le goût amer, vous pouvez ajouter du miel. Les diabétiques peuvent ajouter des édulcorants naturels.
2. Les tomates sont d'une valeur nutritive élevée pouvant prévenir le cancer. Elles sont appropriées aussi pour les personnes ayant des problèmes avec les artères. Les tomates après le traitement thermique perdent de la valeur nutritionnelle, il est donc mieux de les traiter dans un mixeur.
3. La papaya a une grande quantité de potassium et de sucre. Les personnes atteintes de diabètes et de problèmes rénaux devraient être prudentes avec son utilisation.
4. Le céleri est excellent pour abaisser la pression artérielle, il purifie le sang et neutralise la teneur en calcium et l'acidité à l'intérieur du corps humain. Le céleri renforce également le système immunitaire, prévient le cancer de poumon, le cancer du sein et le cancer de la.
5. La carotte contient environ 490 types de nutriments, en particulier beta-carotène, qui renforce le système immunitaire, aide à la formation des cellules, réduit le niveau de cholestérol et diminue les valeurs de foie. La carotte contient du calcium, de potassium, de vitamine B et C. La vitamine A contribue à abaisser la pression artérielle.
6. Au lieu d'eau, on peut ajouter du lait pendant le mélange.
7. Étant donné que le mixeur a une haute performance et vitesse, il est adapté pour les fruits qui ne sont pas résistants à une longue cuisson et pendant la cuisson ils perdent leurs valeurs nutritionnelles.

Nettoyage et entretien

1. Assurez-vous avant le nettoyage que l'appareil est mis hors marche dans la position OFF et retirez-le de la prise électrique.
2. Le nettoyage du gobelet: remplissez le gobelet avec de l'eau, appuyez la marche d'impulsion, puis coupez et rincez avec de l'eau.
3. Utilisez une éponge ou un chiffon pour essuyer l'appareil et le couvercle à sec pour éviter la formation des odeurs et des bactéries.
4. Jamais ne mettez les mains dans le gobelet pour nettoyer des couteaux. Les couteaux sont très pointus et peuvent provoquer des blessures.
5. Utilisez un chiffon sec pour essuyer le fond de l'appareil, jamais ne le lavez pas avec de l'eau courante et ne le plongez pas dans l'eau.
6. Toutes les parties endommagées doivent être remplacées des pièces d'origine. Jamais n'utilisez des substituts bon marchés.
7. Si l'appareil fonctionne mal, mettez-le hors marche. Puis adressez-vous au service professionnel.

Paramètres techniques:

Tension nominale: 220-240 V~

Fréquence: 50 Hz

Performances: 1 680 W

Max vitesse: 32 000 RPM

Capacité du gobelet: 2,5 l

RECETTES



Laits végétaux

Lait de noix, de noisettes, de noix de macadamia, de pignons ou de noix de cajou et d'amande ou des graines - de tournesol, de citrouille, de chanvre, etc.

Ingrédients:

- 1 tasse à café de fruits à coque, idéalement trempés entre 4 et 12 heures* (il est possible de préparer le lait de tous les fruits à coque - de noix, de noisettes, de noix de macadamia, de pignons ou de noix de cajou et d'amande ou des graines - de tournesol, de citrouille, de chanvre)
- 1 cuillère à café de miel ou de sirop d'agave, de datte, de quetsche, de noix de coco (pour sucrer, mais il n'est pas nécessaire)
- 1 pincée de vanille, de cannelle, une moitié de cuillère à café d'extrait de vanille ou une autre épice selon préférence (pour assaisonner, mais ce n'est pas nécessaire)
- 1 cuillère à café de poudre de cacao RAW (pour la préparation de RAW chocolat)
- 2-3 tasses à café d'eau - si vous désirez un lait onctueux, utilisez moins d'eau et à l'envers.

Procédé:

Mettez tous les ingrédients dans le mixeur et mixez jusqu'à cela soit lisse. Puis transvasez par une passoire ou versez directement dans une poche sur le lait de fruits à coque et pressez le tout.

Le lait de fruits à coque peut être ensuite parfumé par la cannelle, la noix de muscade ou par une autre épice préférée.

Le lait de fruits à coque peut être conservé dans une bouteille ou un récipient fermé dans le frigo pendant 2-4 jours.

Il est possible d'assaisonner les laits de fruits à coque par la poudre de cacao raw, grâce à cela vous obtiendrez un chocolat raw savoureux.

Il est possible d'utiliser les fibres mixées des fruits à coque dans des purées ou cocktails.

*La raison pour laquelle il est préférable de tremper les fruits à coque est leur meilleure digestion et aussi l'activation de tous les enzymes et toutes les informations présentes dans la noix en tant qu'une graine - donneur de vie.

Lait de pavot

Ingrédients:

Ingrédients pour la fabrication environ de 1,2 l de lait de pavot:

- 200 g de pavot
- 2 l d'eau

Procédé:

Trempez le pavot pour 2-3 heures dans l'eau tiède, puis mixez dans le mixeur à vitesse maximale. Passez le lait de pavot par une passoire fine ou par un sachet en tissu. Si vous préférez un lait encore plus fin, laissez égoutter plusieurs fois.

Smoothie: Petit déjeuner vert

- 3 bananes
- 30 cl de lait de fruits à coque
- 1 dose - 21g - SUNWARRIOR BLEND au chocolat (Vitalvibe)
- 1 cuillère à café d'avoine
- 1 cuillère à café de pollen d'abeille
- 15 pc de chlorella
- 2 cuillères de graines de sauge chia
- 4 feuilles de laitue

Smoothie à la noix de coco et au chocolat avec des dattes

- 3 bananes
- 2 pommes
- 2 cuillères d'huile de noix de coco
- 8 pièces de fève de cacao
- 4 cuillères de graine de sauge chia
- 1 cuillère de poudre de cacao
- 4 dattes
- 1 cuillère de poudre de MACA
- 1 cuillère de LUCUMA

Smoothie aux amandes et à la cannelle avec de la maca (ginseng péruvien)

- 3 bananes
- 30 cl de lait d'amandes
- 4 cuillères de graines de sauge chia - 2 cuillères mixées et deux cuillères après
- 1 cuillère à café de cannelle
- 1 cuillère de poudre de la MACA

RECETTES



Smoothie aux pommes et au persil avec du lucuma

- 5 pommes
- 20 cl d'eau osmosée
- 100 g de persil
- 100 g de mâche
- 1 cuillère à soupe de cannelle
- 2 cuillères à soupe de graine de sauge chia
- 1 cuillère à soupe de LUCUMA

Smoothie d'épinards

- 3 bananes
- 400 g d'épinards

Crème au chocolat

- 2 avocats mûrs
- 1 cuillère à soupe d'huile de coco
- 1 cuillère à soupe de poudre de cacao
- 2 cuillères à soupe d'édulcorant de datte (ou selon le goût)

Servez sur la pomme découpée en deux ou sur un autre fruit

Pâté à l'ail

- 2 avocats mûrs
- 3 gousses d'ail
- Jus d'un citron
- Sel d'Himalaya
- Poivre
- Ciboulette pour l'assaisonnement (ou autres herbes fraîches)

Smoothie à la fraise avec le fruit de maqui

- 1 tasse de fraises
- 2 cuillères à soupe de graine de sauge chia
- 50 g d'amandes
- 1 cuillère à café de fruit de maqui
- 4 dattes

Chia yogurt

- 3 onces de lait de coco
- 4 cuillères à soupe de graines de chia
- Sur l'assaisonnement au goût de palme ou de sirop de tamarin, goji, mûrier, poudre de cacao brut, de cannelle et de fruits

Glace à la banane

- 3 bananes

Pour l'assaisonnement: cannelle, fèves raw de cacao broyées, vanille, sirop d'agave

Procédé:

Découpez les bananes en rondelles et mettez au congélateur pour 1-2 heures.

Mettez les bananes congelées dans le mixeur et rajoutez un peu d'eau. Mixez jusqu'au moment que la glace soit crémeuse et assaisonnez selon goût.

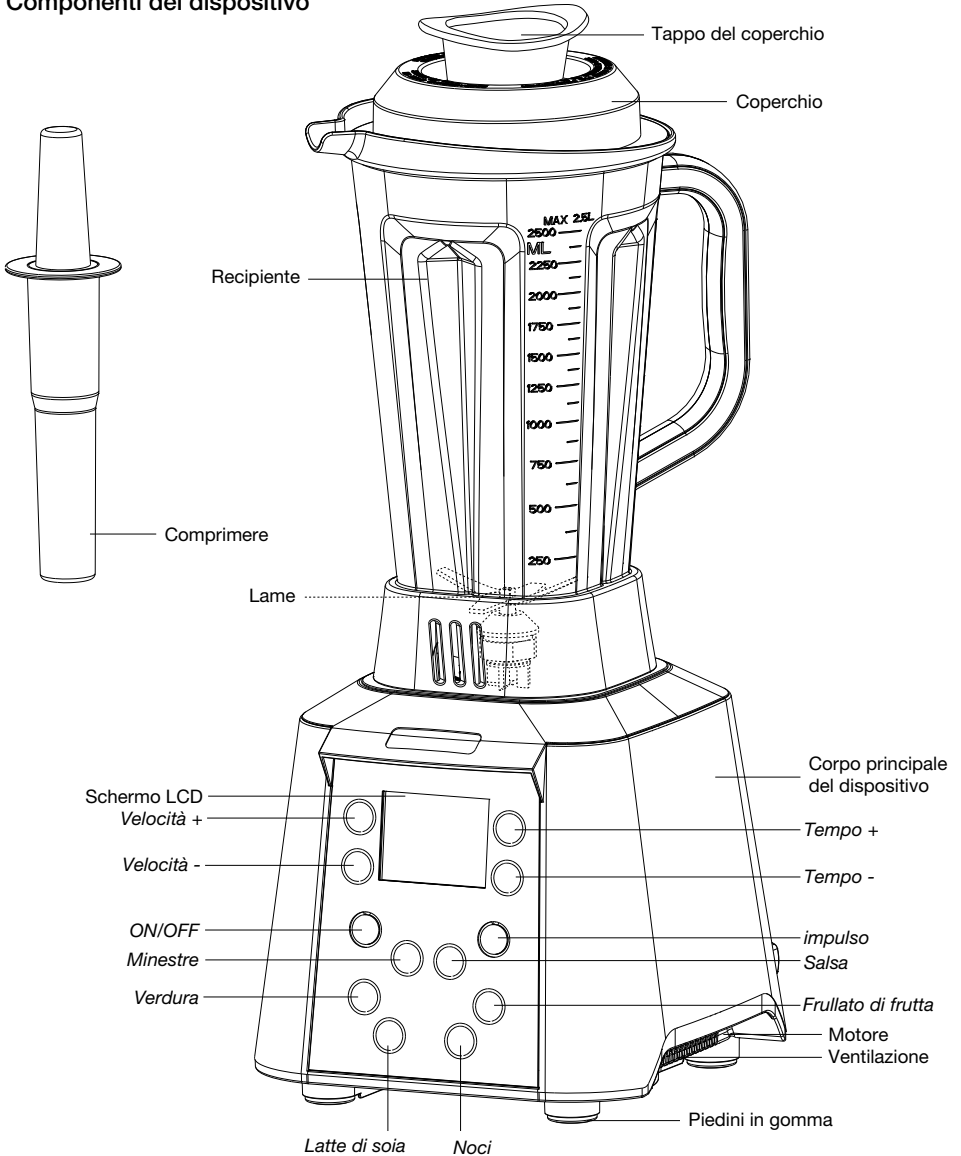
Si vous préférez une structure plus onctueuse, rajouter les noix de cajou et mixez.



Grazie per l'acquisto del nostro prodotto.

Prima dell' uso, leggete, per favore, attentamente questo manuale di istruzioni.

Componenti del dispositivo



Avvertimento

1. Assicurarsi che il dispositivo non sia stato danneggiato durante il trasporto.
2. Assicurarsi di avere tutti i componenti del dispositivo.
 - 1x manuale
 - 1x mixer
 - Coperchio, tappo del coperchio, matrice, il corpo principale del dispositivo, recipiente (comprese le lame e la matrice di blocco).
3. Collocate il dispositivo in una posizione stabile piana, non inclinate mai il dispositivo. Non posizionare il dispositivo vicino a materiale infiammabile.
4. Proteggete il dispositivo dai raggi di luce diretti e dalla pioggia.
5. Per evitare perdite di energia elettrica, il dispositivo deve essere collegato ad una presa elettrica con messa a terra.

Istruzioni di sicurezza

1. Prima di utilizzare il dispositivo, leggere attentamente le istruzioni di sicurezza.
2. Assicurarsi che il dispositivo sia alimentato da una presa di corrente di 220-240 V.
3. Questo dispositivo non deve essere utilizzato da persone (compresi i bambini) con ridotte capacità fisiche, sensoriali o mentali, o prive di esperienza e conoscenza, a meno che non siano controllati o istruiti all'uso del dispositivo da una persona responsabile della loro sicurezza.
4. Non permettere ai bambini di giocare con esso ed assicurarsi che siano lontani, quando si utilizza il dispositivo.
5. Non dimenticare di installare il coperchio sul contenitore. Il coperchio aiuta il compressore a mixare il cibo all'interno del dispositivo. Una volta che il dispositivo viene spento, rimuovere il recipiente ed utilizzare un cucchiaio od una forchetta per rimuovere i residui di cibo all'interno del recipiente.
6. Quando accendete il dispositivo, tenere il coperchio per evitare che cada.
7. Durante il funzionamento del dispositivo, non rimuovere mai il coperchio e non mettere le mani nel recipiente.
8. Non inserire oggetti nel dispositivo quali forchette, cucchiai e simili.
9. Non lasciare mai il dispositivo funzionare a vuoto (senza liquido) per più di due minuti, il funzionamento senza alimenti genera alte temperature, che possono influenzare negativamente il sistema di lubrificazione del dispositivo.
10. Nel caso in cui cada un coltello o si spezzi, spegnere immediatamente il dispositivo. Poi rivolgersi ad un servizio specializzato.
11. Durante la pulizia o la rimozione dei componenti, spegnete sempre il dispositivo.
12. Non immergete nell'acqua o non lavare direttamente sotto l'acqua corrente, per evitare scosse elettriche, il corpo principale del dispositivo.
13. Non pulire la lama con le mani nude, in quanto sono molto taglienti. Utilizzare un pennello o un panno spesso.
14. Se il dispositivo è sovraccarico, la sicura contro il sovraccarico spegne automaticamente il dispositivo. Si prega di diminuire la quantità di cibo all'interno del recipiente.
15. Se il dispositivo non funziona correttamente, scollegarlo dalla presa elettrica ed attendere che la temperatura del dispositivo diminuisca.
16. Se il cavo dell'alimentazione è danneggiato, la sostituzione deve essere effettuata da un centro di assistenza professionale.

Pannello di controllo

Schermo LCD

Nel caso in cui il dispositivo è collegato ad una presa elettrica, lo schermo LCD mostra il tempo 00:00 e la velocità sul numero 3.

Il dispositivo è in modalità standby e tutti i pulsanti sono illuminati.

Impostazioni manuali



Time + Time - / Tempo + Tempo -

Per regolare il tempo di funzionamento (da 5 secondi a 30 minuti).

- Suggerimento: tenendo premuto -, il tempo è impostato in maniera più veloce.



Speed + Speed - / Velocità + Velocità -

Per impostare la velocità di funzionamento (1-2-3-4-5-6-7-8-H).

- Suggerimento: in modalità manuale, la velocità ed il tempo sono regolabili durante il funzionamento.



Pulse / Impulso

Attenzione: se la funzione di accelerazione opera alla massima velocità, assicurarsi che il coperchio del dispositivo sia fissato correttamente.

- Suggerimento: la funzione di accelerazione può essere utilizzata per la pulizia del recipiente.

Programmi preimpostati

Premere un qualsiasi pulsante di programma, inizia a lampeggiare. Il programma corrispondente viene visualizzato sullo schermo LCD. A questo punto è possibile regolare il tempo e la velocità di miscelazione. Dopo l'avviamento del programma, l'impostazione non è più possibile.



ON/OFF

Premere il pulsante start per l'avviamento. Il pulsante lampeggia, il pulsante del programma selezionato smette di lampeggiare e si illumina, tutti gli altri pulsanti sono spenti. Il tempo sul display LCD inizia a diminuire.



Veggie - Verdura

Premere questo pulsante per la lavorazione della frutta e della verdura, velocità che va da 1 a H entro 5 secondi ed il dispositivo funziona alla massima velocità per 2 minuti.

- Speed + - e Time + - sono regolabili prima di avviare il programma, dopo l'avvio del programma non è più possibile modificare il tempo e la velocità.



Soup - Minestre

Premere questo pulsante per la lavorazione delle zuppe, velocità va da 1 a H entro 9 secondi, successivamente il dispositivo funziona alla massima velocità per 3,5 minuti.

- Speed + - e Time + - sono regolabili prima di avviare il programma, dopo l'avvio del programma non è più possibile modificare il tempo e la velocità.



Sauce - Salsa

Premere questo pulsante per la lavorazione delle salse, la velocità passa da 1 a 5 entro 3 secondi, successivamente il dispositivo funziona alla media velocità 5 per 2,5 minuti.

- Speed + - e Time + - sono regolabili prima di avviare il programma, dopo l'avvio del programma non è più possibile modificare il tempo e la velocità.



Smoothie - Frullato di frutta

Premere questo pulsante per la lavorazione del frullato, la velocità va da 1 a H entro 9 s, successivamente il dispositivo funziona alla massima velocità per 1 minuto.

- Speed + - e Time + - sono regolabili prima di avviare il programma, dopo l'avvio del programma non è più possibile modificare il tempo e la velocità.



Nuts - Noci

Premere questo pulsante per la lavorazione delle noci, la velocità va da 1 a H entro 5 s, successivamente il dispositivo funziona alla massima velocità per 1 minuto.

- Speed + - e Time + - sono regolabili prima di avviare il programma, dopo l'avvio del programma non è più possibile modificare il tempo e la velocità.



Soy milk - Latte di soia

Premere questo pulsante per la lavorazione della soia, la velocità va da 1 a 5 entro 5 secondi, quindi il dispositivo funziona alla velocità di 5 per 5 secondi, poi cambia alla velocità 8 per 10 secondi, e poi passa a H (massima velocità).

- Speed + - e Time + - sono regolabili prima di avviare il programma, dopo l'avvio del programma non è più possibile modificare il tempo e la velocità.

Attenzione: spegnere sempre il dispositivo dalla posizione „MIN“.

Funzionamento

Prima di accendere, verificare quanto segue:

Il recipiente è correttamente collegato alla base.

Il coperchio si adatta perfettamente al contenitore ed è bloccato in posizione.

Il pulsante velocità si trova in posizione „MIN“.

1. Collegare il dispositivo ad una presa elettrica.
2. Posizionare la base del contenitore.
3. Mettere il cibo nel recipiente (Non superare mai il segno MAX sul contenitore).
4. Al termine spegnete il dispositivo ed attendete che il dispositivo si fermi completamente, quindi rimuovete il recipiente e svuotatelo.

Suggerimenti per la miscelazione

Quando si inserisce il cibo, fate attenzione a questa successione. In primo luogo, versate i liquidi, aggiungete il ghiaccio ed alla fine il cibo.

È preferibile utilizzare una bassa velocità all'inizio e successivamente aumentare la velocità.

Se il cibo è spinto, durante il funzionamento, sulla parete del recipiente, avete impostato una velocità troppo alta, la velocità deve essere ridotta.

Il dispositivo è dotato di una protezione dal sovraccarico per evitare danni al motore. Dopo lo spegnimento, attendere che il dispositivo si raffreddi completamente, quindi riavviare il dispositivo. Se il dispositivo non dispone di un adeguato raffreddamento, il dispositivo non si accende di nuovo, bisogna lasciargli più tempo per raffreddarsi.

Preparazione

Preparazione di succhi di frutta e di verdura

Tagliate la frutta e la verdura in piccoli pezzi (circa 3,5 cm), poi poneteli nel recipiente. Versare l'acqua. Applicare il coperchio, il tappo del coperchio ed accendere il dispositivo. Iniziate a bassa velocità e andate ad una velocità superiore. Mescolare fino a quando il succo è preparato in base alle vostre esigenze.

Preparazione del frullato/gelato

Innanzitutto, posizionare il ghiaccio, quindi versare il liquido e quindi aggiungere il cibo.

L'acqua può essere sostituita con del latte, dello yogurt o del succo di frutta.

Se non si riesce a frullare il cibo all'interno del recipiente, utilizzare il compressore per mescolare il cibo all'interno.

Nella produzione di gelati alla frutta, per prima cosa togliere la buccia e rimuovere i semi, poi mettere il frutto nel recipiente al fine di compensare il ghiaccio. Poi frullate la frutta e di nuovo mettete nel freezer.

Produzione di marmellata/salsa

Il dispositivo può produrre marmellate e salse. Nella produzione di marmellate/salse, tagliare il cibo in pezzetti dello spessore di circa 2,5 centimetri e mettere nel recipiente. Versare quindi a seconda della natura del cibo da miscelare ed alla sua quantità.

Il tempo deve essere impostato a circa 15-150 secondi a seconda dello spessore del cibo.

Nella produzione di salse è possibile aggiungere diversi ingredienti rispetto ai liquidi. (Ad esempio, latte, olio, vino, brodo ristretto, succo d'arancia, succo di pomodoro, ecc, ...)

Produzione di latte di soia

Cuocere la soia e poi inserirla in un barattolo e versare l'acqua bollente.

Il rapporto raccomandato acqua: fagioli è di 5:1

Far girare il motore a bassa velocità, poi portarlo ad alta velocità.



Consigli

1. Se non vi piace il sapore amaro, è possibile aggiungere il miele. I diabetici possono aggiungere dolcificanti naturali.
2. I pomodori hanno un alto valore nutritivo che può prevenire il cancro. Essi sono anche buoni per le persone che hanno problemi arteriosi. I pomodori dopo il trattamento termico perdono valore nutritivo, quindi è meglio trattarli in un frullatore.
3. La papaia ha elevate quantità di potassio e zucchero. Le persone con problemi di diabete e renali devono stare attenti al suo uso.
4. Il sedano è eccellente per abbassare la pressione arteriosa alta, purifica il sangue e neutralizza l'acidità e calcio che sono all'interno del corpo umano. Il sedano rafforza anche il sistema immunitario, la prevenzione del cancro al polmone, al seno ed alla prostata.
5. Le carote contengono circa 490 tipi di sostanze nutritive, in particolare il beta-carotene, che rafforza il sistema immunitario, aiuta la formazione di cellule, abbassa il colesterolo e riduce i valori del fegato. Le carote contengono calcio, potassio, vitamina B e C. La vitamina A aiuta ad abbassare l'alta pressione sanguigna.
6. Al posto dell'acqua, è possibile aggiungere il latte al momento di mixare.
7. Poiché il mixer ha elevate prestazioni ed elevata velocità di giro, è adatto per la frutta che non è resistente alla cottura lunga e che con la cottura perdono valori nutrizionali.

Pulizia e manutenzione

1. Prima della pulizia, assicurarsi che il dispositivo sia spento in posizione OFF e staccare la spina dalla presa di corrente.
2. Pulizia del recipiente: riempire il recipiente con dell'acqua, tenere premuto per 10 secondi con l'accelerazione funzionante, poi spegnere e sciacquare con acqua di rubinetto.
3. Utilizzare una spugna o un panno per pulire il dispositivo e il coperchio fino all'asciugamento per evitare odori e batteri.
4. Non mettere le mani nel recipiente per pulire il coltello. Le lame sono molto affilate e potrebbero causare lesioni.
5. Usare un panno asciutto per lavare la base del dispositivo, non lavare la base con acqua corrente né immergerla nell'acqua.
6. Tutta la parte danneggiata del dispositivo deve essere sostituita con ricambi originali. Non usare mai pezzi di ricambio a buon mercato.
7. Nel caso in cui il dispositivo funzioni male, spegnerlo. Quindi contattare il servizio di assistenza.

Specifiche tecniche:

Tensione nominale: 220-240 V~

Frequenza: 50 Hz

Prestazioni: 1 680 W

Velocità massima: 32 000 RPM

Capacità del recipiente: 2,5 l

RICETTE



Latte vegetale

Latte vegetale da anacardio, mandorle, noci, nocciole, macadamia, pinoli o semi di girasole, di zucca, di canapa, ecc.

Ingredienti:

- 1 tazzina di noci, idealmente imbevuto per 4-12 ore * (latte viene fatto da qualsiasi noci, anacardi, nocciola, macadamia, mandorle, pinoli, semi di girasole, di zucca, di canapa)
- 1 cucchiaino di miele o di sciroppo di agave, di datteri, di prugne, di cocco (per dolcificare, non è una condizione)
- 1 pizzico di baccelli di vaniglia, cannella, mezzo cucchiaino di estratto di vaniglia o di qualsiasi spezia preferita (a piacere, non richiesto) cucchiaino RAW di cacao in polvere (per la preparazione RAW di cacao)
- 2-3 tazzine di acqua - se volete latte denso, utilizzate meno acqua e viceversa

Procedura:

Mettere tutti gli ingredienti in un mixer e fate mixare fino alla fine. Poi versare attraverso un colino direttamente nella sacca per il latte di nocciole e spremere tutto il latte.

Il latte di nocciole può essere aromatizzato con cannella, noce moscata o con le altre spezie preferite.

Il latte di nocciole può essere conservato in una bottiglia od in un contenitore sigillato in frigorifero per 2-4 giorni.

Il latte di nocciole può essere aromatizzato con polvere di cacao raw, grazie al quale ottenete un gustoso cacao raw. E' possibile utilizzare la fibra delle nocciole mixate nella purea di frutta o in un cocktail.

* il motivo dell'ammollo è una migliore digeribilità delle noci e nel contempo un'attivazione di tutti gli enzimi ed informazioni che sono nella noce come un seme vitale

Latte di papavero

Ingredienti:

per la produzione di circa 1,2 litri di latte di papavero, usiamo:

200 g di papavero

2 litri di acqua

Procedura

Mettiamo in ammollo i semi di papavero per 2-3 ore in acqua tiepida, poi mixiamo in un frullatore ad alta velocità. Con un colino a maglie strette o un sacchetto di tela, facciamo filtrare il latte di papavero mixato. Se vogliamo ottenere una struttura più delicata di latte, ripetiamo la setacciatura più volte.

Smoothie di cannella-mandorla con maca

- 3 banane
- 3 dl di latte di mandorla
- 4 cucchiaini di chia - 2 cucchiaini da mixare e due cucchiaini dopo il mix
- 1 tazzina di cannella
- 1 tazzina di polvere di MACA

Smoothie: Colazione verde

- 3 banane
- 3 dl di latte di nocciole
- 1 bicchiere graduato - 21 grammi - SUNWARRIOR BLEND (Vitalvibe) gusto cioccolato
- 1 cucchiaino di orzo
- 1 cucchiaino di polline di api
- 15 pez. di chlorella
- 2 cucchiaini di semi di chia
- 4 foglie di lattuga

Smoothie di cocco e cioccolato con datteri

- 3 banane
- 2 mele
- 2 cucchiaini di olio di cocco
- 8 pez. di fave di cioccolato
- 4 cucchiaini di semi di chia
- 1 cucchiaino di cacao in polvere
- 4 datteri
- 1 cucchiaino di MACA
- 1 cucchiaino di LUCUMA

RICETTE



Smoothie di mela - prezzemolo con Lucuma

- 5 mele
- 2 dl di acqua armonizzata
- 100 g di prezzemolo
- 100 g di insalata valeriana
- 1 cucchiaino di cannella
- 2 cucchiaini di semi di chia
- 1 cucchiaino di LUCUMA

Smoothie di spinaci

- 3 banane
- 400 g di spinaci

Budino al cioccolato

- 2 avocado maturi
- 1 cucchiaino di olio di cocco
- 1 cucchiaino di cacao in polvere
- 2 cucchiaini di dolcificante (o secondo il piacere)

Serviamo su fette di mela tagliate o di altra frutta

Crema di aglio da spalmare

- 2 avocado maturi
- 3 spicchi d'aglio
- succo di limone
- sale dell, Himalaya
- pepe
- erba cipollina a piacere (o altre erbe aromatiche)

Smoothie di fragole con Maqui

- 1 tazza di fragole
- 2 cucchiaini di semi di chia
- 50 grammi di mandorle
- 1 cucchiaino di MAQUI
- 4 datteri

Chia yogurt

- 3 onces di latte di cocco
- 4 cucchiaini di semi di chia
- Sulla condimento a piacere di palma o sciroppo di tamarindo, goji, gelso, polvere di cacao grezzo, cannella e tutta la frutta

Gelato alla banana

- 3 banane

per il condimento a piacere: cannella, fave di cioccolato tritate raw, vaniglia, sciroppo di agave

Procedura:

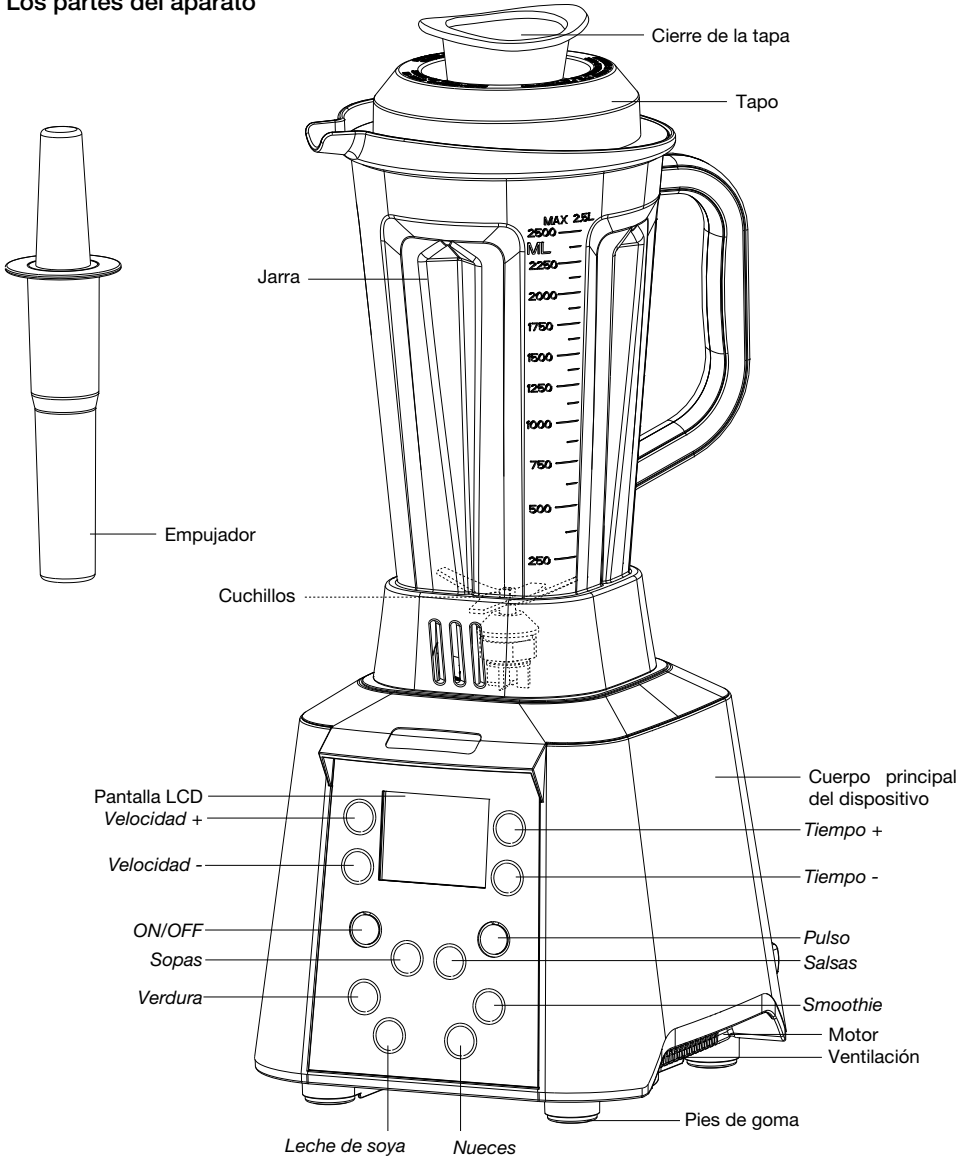
Tagliate a fettine le banane e lasciare congelare per 1-2 ore. Dopo il congelamento mettete le banane in un frullatore e aggiungere un po' d'acqua. Mixate fino ad ottenere una gelato di crema di banana e condire a piacere. Se vogliamo ottenere una consistenza più cremosa del gelato, aggiungiamo anacardi e mixiamo.



Gracias por la compra de nuestro producto.

Antes del uso haga el favor de leer con atención este manual.

Los partes del aparato



Aviso

1. Controlar si el aparato no se dañó durante el transporte.
2. Controlar si el aparato tiene todos sus componentes.
 - 1x manual
 - 1x licuadora
 - Tapa, cierre de la tapa, empujador, cuerpo principal del dispositivo, jarra (incluso cuchillos y tuerca de sostén).
3. Poner el aparato en una posición estable y recta, nunca ladear el aparato. No colocar el aparato cerca de los materiales inflamables.
4. Proteger el aparato de luz directa y de la lluvia.
5. Para evitar fugas de electricidad, el aparato debe ser enchufado en una toma eléctrica a tierra.

Instrucción de seguridad

1. Antes de utilizar el aparato lea con esmero la instrucción de seguridad.
2. Asegurarse que el aparato está alimentado en un enchufe de 220-240 V.
3. Este aparato no es determinado para el uso por las personas (incluso los niños) con las capacidades físicas, sensoriales o mentales disminuidas o con insuficiencia de experiencia y de conocimiento a menos que no sean supervisados o instruidos relativos al uso del aparato por una persona responsable de seguridad.
4. Nunca dejar a los niños jugar con el aparato y asegurarse durante su uso que los niños sean en una distancia suficiente.
5. Nunca olvidar instalar la tapa al jarra. La tapa ayuda al empujador mezclar los alimentos dentro del aparato. Después de apagar el aparato quite el jarra utilizando cuchara o tenedor para remover el residuo de los alimentos.
6. Encendiendo el aparato sostener la tapa para evitar su separación.
7. Utilizando el aparato nunca quitar la tapa y nunca tocar hacia adentro del jarra.
8. Nunca poner al aparato los objetos como tenedores, cucharas etc.
9. Nunca dejar el aparato marchar sin carga (sin líquido) más que 2 minutos, el uso sin alimentos causa aumento de calor que puede desagradablemente influenciar el sistema de borrar del aparato.
10. Si cae un cuchillo o si se rompe apagar inmediatamente el aparato. Después ponerse en contacto con el servicio profesional.
11. Apagar el aparato antes de limpiar o quitar algunas partes del aparato.
12. No sumergir el cuerpo principal del aparato al agua ni lo lavar con el agua corriente para evitar el choque eléctrico.
13. Nunca limpiar los cuchillos con los manos desnudas porque están muy afilados. Utilizar escobilla o paños cocina.
14. Si el aparato está sobrecargado, el fusible de sobrecarga apaga automáticamente el aparato. Reduzca por favor la cantidad de los alimentos en el jarra.
15. Si el aparato funciona mal, quitar el aparato del enchufe y espera hasta cuando la temperatura desciende.
16. Si el cable de entrada está destruido, el sustituto debe ser realizado por el centro de servicio profesional.

Panel de control

Pantalla LCD

Si enchufa el aparato, pantalla LCD muestra tiempo 00:00 y velocidad 3.

El aparato está en estado je v pohotovostním stavu y todos botones lucen.

Ajuste a mano



Time + Time - / Tiempo + Tiempo -

Para ajustar el tiempo de trabajo (desde 5 hasta 30 hasta).

- Consejo: sostener el botón – el tiempo se ajusta más rápido.



Speed + Speed - / Velocidad + Velocidad -

Para ajustar la velocidad (1-2-3-4-5-6-7-8-H).

- Consejos: en sistema manual - la velocidad y tiempo de trabajo ya está ajustado.



Pulse / Pulso

Atención: función pulsante se enciende a la velocidad más alta, por esto se asegure que la tapa está conectada bien.

- Consejo: la marcha pulsante se puede utilizar para limpiar el jarra.

Los programas pre-programados

Presiona cualquier botón de programa y empieza guiñar. El programa seleccionado se muestra en pantalla LCD. En este momento puede ajustar el tiempo y la velocidad de mezclado. Después de activación del programa, el ajuste no es más posible.



ON/OFF

Presiona el botón de START para empezar. El botón empieza guiñar, el botón del programa seleccionado deja de guiñar y luce, otros botones de programas se apagan. El tiempo en la pantalla LCD empieza a bajar.



Veggie - Verdura

Presiona este botón para el procesamiento de la fruta y verdura, la velocidad se enciende de 1 hasta H durante 5 segundos y el aparato empieza a trabajar a la velocidad máxima durante 2 minutos.

- Speed + - y Time + - se pueden ajustar antes de activar el programa, después de la activación no se puede cambia el tiempo ni la velocidad.



Soup - Sopas

Presiona este botón para el procesamiento de las sopas, la velocidad se enciende de 1 hasta H durante 9 segundos, después el aparato trabaja a la velocidad máxima durante 3,5 minutos.

- Speed + - y Time + - se pueden ajustar antes de activar el programa, después de la activación no se puede cambia el tiempo ni la velocidad.



Sauce - Salsas

Presiona este botón para el procesamiento de las salsas, la velocidad se enciende desde 1 hasta 5 durante 3 segundos, después el aparato trabaja a la velocidad media 5 durante 2,5 minutos.

- Speed + - y Time + - se pueden ajustar antes de activar el programa, después de la activación no se puede cambia el tiempo ni la velocidad.



Smoothie

Presiona este botón para el procesamiento de smoothie, la velocidad se enciende desde 1 hasta H durante 9 segundos, después el aparato trabaja a la velocidad máxima durante 1 minutos.

- Speed + - y Time + - se pueden ajustar antes de activar el programa, después de la activación no se puede cambia el tiempo ni la velocidad.



Nuts - Nueces

Presiona este botón para el procesamiento de nueces, la velocidad se enciende desde 1 hasta H durante 5 segundos, después el aparato trabaja a la velocidad máxima durante 1 minutos.

- Speed + - y Time + - se pueden ajustar antes de activar el programa, después de la activación no se puede cambia el tiempo ni la velocidad.



Soy milk - Leche de soya

Presiona este botón para el procesamiento de soya, la velocidad se enciende desde 1 hasta 5, durante 5 segundos, después el aparato trabaja a la velocidad 5 durante 5 segundos, después la velocidad se cambia al 8 durante 10 segundos y después se cambia a H (velocidad máxima).

- Speed + - y Time + - se pueden ajustar antes de activar el programa, después de la activación no se puede cambia el tiempo ni la velocidad.

Aviso: encender el aparato siempre de la posición „MIN“.

Funcionamiento

Antes de encender el aparato es necesario controlar siguiente:

El jarra está conectado a la base en modo correcto.

La tapa pega apretadamente al jarra y está en la posición cerrada.

El botón de la velocidad está en la posición „MIN“.

1. Enchufar el aparato.
2. Colocar el jarra sobre la base.
3. Poner los alimentos al jarra (nunca exceder señal MAX en el jarra).
4. Después de acabar, apaga el aparato y espera hasta cuando el aparato se para completamente, después quita el jarra y vacíela.

Consejos de mezclamiento

Respectar el orden de los alimentos puestos a la licuadora. Como primero verter los líquidos, añadir el hielo y al fin los alimentos.

Al inicio es mejor utilizar la velocidad más baja y después aumentar la velocidad.

Si durante el utilizo los alimentos están presionados al jarra, ha utilizado vueltas demasiado altas, debería disminuir la velocidad.

El aparato es equipado con el fusible de sobrecalentamiento para evitar la destrucción del motor del aparato. Después de apagar el aparato espera unos segundos hasta que el aparato se enfría, después pone en marcha el aparato. Si el aparato no tiene enfriamiento suficiente, el aparato no se enciende de nuevo, tiene que dejarlo reposar unos minutos.

Preparación

Preparación del zumo de fruta y verdura

Corta fruta y verdura a las piezas pequeñas (unos 3,5 cm), después las pone al jarra. Verte el agua. Une el cierre de la tapa y pone el aparato en marcha. Empieza con la velocidad baja y después pone la velocidad más alta. Mezcla hasta cuando el zumo sea según Su exigencia.

Preparación de smoothie/helado

Al inicio ponga el hielo, después añade los alimentos.

El agua puede sustituir con la leche, yogurt o con el zumo de fruta.

Si no puede mezclar los alimentos dentro el jarra, utiliza empujador para mezclar los alimentos dentro el jarra.

Produciendo helados de fruta como primero pela la fruta y quita semillas, después pone la fruta al congelador para sustituir el hielo. Después mezclar la fruta y poner de nuevo al congelador.

Producción de mermeladas/salsas

El aparato puede producir las mermeladas y salsas. Produciendo las mermeladas/salsas, corta los alimentos a piezas de unos 2,5 cm y las pone al jarra. Después añade el agua con respecto al carácter de los alimentos mezclados y su cantidad.

El tiempo debería ser ajustado a unos 15-150 segundos con respecto al espesor de los alimentos.

Durante la producción de las salsa puede añadir otros ingredientes que los líquidos. (por ejemplo la leche, olio, vino, caldo, zumo de naranja, zumo de tomate etc.)

Producción de la lecha de soya

Cocina la soya y después la pone al jarra y verte el agua hirviente.

Proporción recomendada de agua : soya es 5:1

Encender el motor a las vueltas bajas, y después pasar a la velocidad más alta.



Consejos

1. Si no le gusta el sabor amaro, puede añadir miele. Los diabéticos pueden añadir edulcorante artificial.
2. Los tomates tienen el valor nutricional alto que pueden prevenir el cáncer. También son excelentes para la gente que tiene problema con arterias. Los tomates después de un procesamiento térmico pierden el valor nutricional por esto es mejor procesarlos en la licuadora.
3. Papaya tiene alta cantidad de potasio y de azúcar. La gente con diabetes y con problemas de riñón deberían estar atentos con su uso.
4. El bulbo de apio es excelente para disminuir alta presión sanguínea, limpia la sangre y neutraliza contenido del calcio y acidez que está en el cuerpo humano. El bulbo de apio refuerza el sistema inmunitario y previene cáncer de pulmones, cáncer del pecho y cáncer de próstata.
5. Zanahoria contiene unos 490 tipos de nutrientes, especialmente provitamina A que refuerza inmunitaria ayuda a la creación de las células y disminuye el colesterol y baja valores de hígado. Zanahoria contiene calcio, potasio y vitamina B y C. Vitamina A ayuda a bajar presión sanguínea alta.
6. Al puesto del agua puede mezclar la leche.
7. Porque la licuadora tiene la potencia y vueltas altas es apropiada a la fruta que es resistente contra cocina de un tiempo bastante y cocinando pierde el valor nutriente.

Limpieza y mantenimiento

1. Antes de limpiar se asegura que el aparato está apagado en la posición OFF y lo quita del enchufe.
2. Limpieza del jarra: llena el jarra con el agua, presiona para 10 segundos la marcha pulsante y después la apaga y lava el jarra con el agua.
3. Utiliza paño cocina o estropajo para limpiar el aparato y la tapa hasta que sea seco, así evita de creación de olor y de las bacterias.
4. Nunca poner los mano al jarra para limpiar los cuchillos. Los cuchillos son muy afilados y podría causar lesiones.
5. Utiliza un paño cocina seco para limpiar la base del aparato, nunca la lava con el agua corriente ni la sumerge al agua.
6. Cualquiera partes del aparato danado tiene que ser restituido por un componente original. Nunca utiliza los componentes baratos.
7. Si el aparato funciona mal, apáguelo. Después contacta el servicio profesional.

Los parámetros técnicos:



Tensión: 220-240 V~

Frecuencia: 50 Hz

Rendimiento: 1 680 W

Velocidad máxima: 32 000 RPM

Capacidad del jarra: 2,5 l

RECETAS



Leches vegetales

Leches vegetales de anacardos, almendras, nueces, avellanas, macadamias, pistachos o semillas de girasol, calabaza, canabis, etc.

Ingredientes:

- 1 tacita de nueces, lo ideal es mojarlas primero 4-12 horas* (la leche se puede hacer de cualquier fruto seco - nueces, anacardos, avellanas, macadamias, almendras, pistachos, o semillas - de girasol, calabaza, canabis)
- 1 cucharadita de miel o jarabe de agave, dátiles, ciruelas, coco (para endulzar, no es indispensable)
- 1 pisca de semillas de vainilla, canela, media cucharada del extracto de vainilla o cualquier especia preferida (para dar sabor, no es indispensable)
- una cucharada de cacao en polvo RAW (para preparar el chocolate RAW)
- 2-3 tacitas de agua - si desea la lecha más densa, use menos agua, y al contrario

Procedimiento:

Ponemos todos los ingredientes en la batidora y batimos hasta la masa suave. Después vertemos a través de la malla a una media de nylon o al saquito especial para leche de frutos secos y exprimimos toda la leche.

La leche de nueces puede sazonarse con canela, nuez moscada u otra especia favorita.

La leche de nueces se puede conservar en un pomo o recipiente cerrado en el refrigerador durante 2-4 días.

Las leches de nueces se pueden sazonar con el cacao en polvo RAW para obtener un delicioso chocolate RAW.

La fibra batida de las nueces se puede usar para purés o batidos.

* la razón de mojar es una mejor digestión de las nueces y a la vez la activación de todos los enzimas e informaciones guardadas en la nuez como semilla vivificante.

Leche de amapola

Ingredientes:

Para producir aprox. 1,2 litro de leche de amapola usamos

- 200 g de semillas de amapola
- 2 litros de agua

Procedimiento:

Mojamos las semillas de amapola 2-3 horas en el agua tibia, después batimos en la batidora con las revoluciones máximas. Colamos la leche de amapola batida a través de una malla fina o saquito de paño. Si deseamos una estructura más suave de la leche, colamos varias veces seguidas.

Smoothie de almendra y canela con Maca

- 3 plátanos
- 3 dcl de leche de almendra
- 4 cucharadas de semillas de chía - 2 cucharadas a batir y 2 cucharadas batidas
- 1 cucharadita de canela
- 1 cucharada de polvo MACA

Smoothie: Desayuno verde

- 3 plátanos
- 3 dcl de leche de avellana
- 1 calibre - 21 gramos - SUNWARRIOR BLEND de chocolate (Vitalvibe)
- 1 cucharadita de cebada
- 1 cucharadita de polen de abejas
- 15 clorelas
- 2 cucharadas de semillas chía
- 4 hojas de lechuga

Smoothie de chocolate y coco con dátiles

- 3 plátanos
- 2 manzanas
- 2 cucharadas de aceite de coco
- 8 habas de chocolate
- 4 cucharadas de semillas chía
- 3 cucharadas de cacao en polvo
- 4 dátiles
- 1 cucharada de polvo MACA
- 1 cucharada de polvo LUCUMA

RECETAS



Smoothie de manzanas y perejil con Lucuma

- 5 manzanas
- 2 dcl de agua osmótica armonizada
- 100 gramos de perejil
- 100 gramos de canónigo
- 1 cucharada de canela
- 2 cucharadas de semillas chía
- 1 cucharada de LUCUMA

Smoothie de espinaca

- 3 plátanos
- 400 gramos de espinaca

Natilla de chocolate

- 2 aguacates maduros
- 1 cucharada de manteca de coco
- 1 cucharada de cacao en polvo
- 2 cucharadas de edulcorante de dátiles (o a gusto preferente)

Servimos en una manzana cortada u otra fruta

Pasta de ajo

- 2 aguacates maduros
- 3 dientes de ajo
- zumo de un limón
- sal de Himalaya
- pimienta
- cebollino u otras hierbas frescas para dar sabor

Smoothie de fresas con Maqui

- 1 taza de fresas
- 2 cucharadas de semillas chía
- 50 gramos de almendras
- 1 cucharadita de MAQUI
- 4 dátiles

Chia yogur

- 3 onzas de leche de coco
- 4 cucharadas de semillas de chía
- En los condimentos al gusto de palma o jarabe de tamarindo, goji, mora, cacao en polvo en bruto, la canela y cualquier fruta

Helado de plátanos

- 3 plátanos

para dar sabor: canela, habas trituradas de cacao raw, vainilla, jarabe de agave

Procedimiento:

Cortamos los plátanos a rueditas y dejamos congelar 1-2 horas. Una vez congelados, introducimos los plátanos en la batidora y añadimos un poco de agua. Batimos hasta lograr el helado cremoso de plátanos que sazonamos a gusto. Para lograr una estructura más cremosa del helado añadimos anacardos y batimos un poco.

۲۱



Chamber



Horizontal ceramic
Squeezing Screw



Adjustable pressure
Squeezing Screw



75 rpm



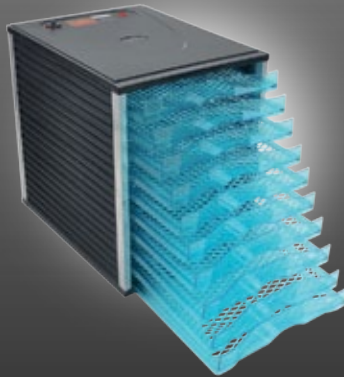
High
juice yield



150 W



Quiet
operation



Harmony

Big



10x tray



800 W



32-68 °C



timer